

LAZER Z[®] MODELS

**For Serial Nos.
850,000 & Higher
Lazer Z (LZZ Units)**
Part No. 4500-561 Rev. F

Parts Manual

EXMARK PARTS PLUS

PARTS

OVERNIGHT
OR *FREE**

If your Exmark dealer does not have the Exmark part in stock, Exmark will get the parts to the dealer the next business day or the part will be FREE Guaranteed!! (Some restrictions apply. See your participating Exmark Dealer for details.)

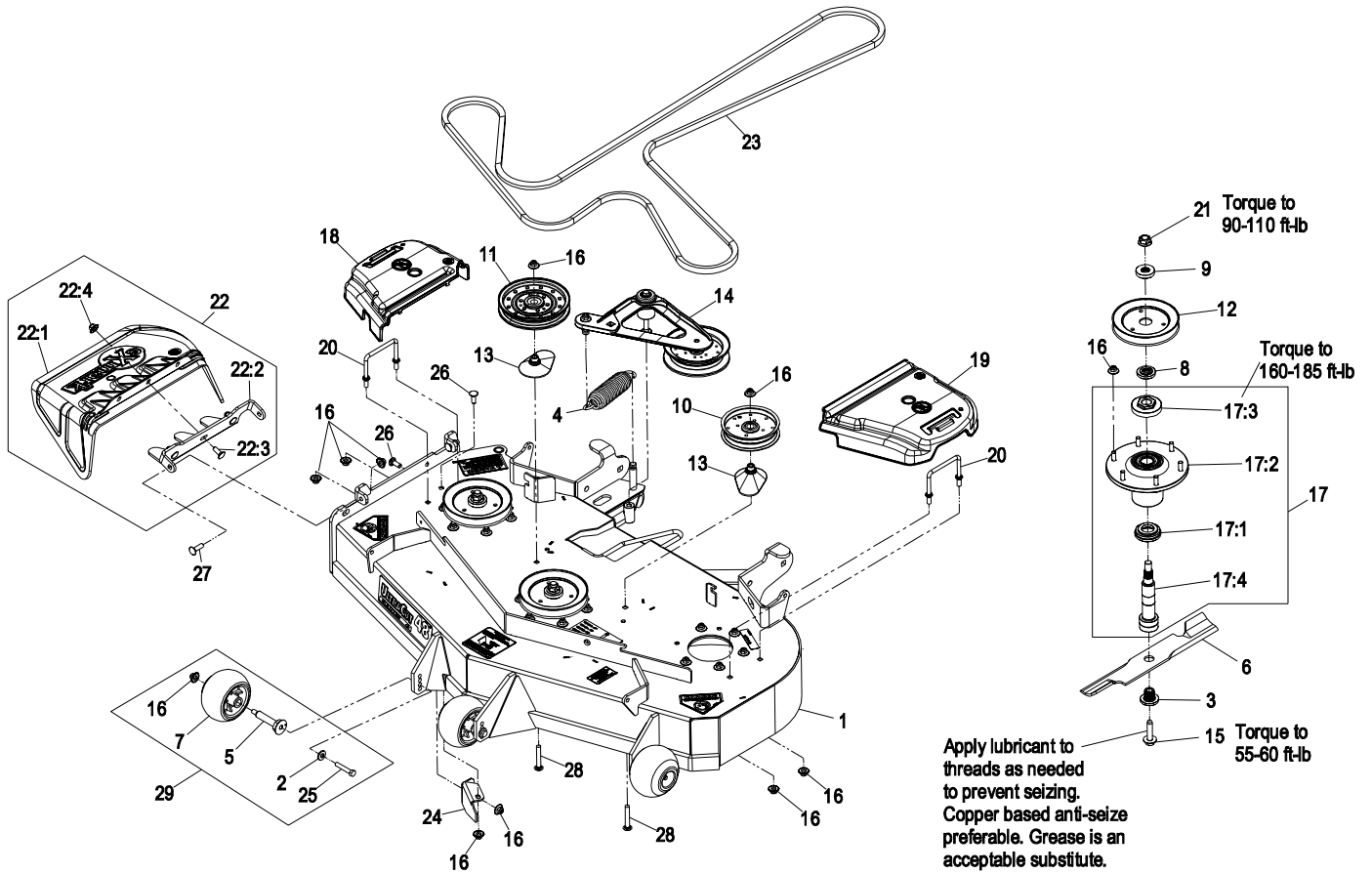


**READ OPERATOR'S MANUAL BEFORE
OPERATING OR SERVICING EXMARK EQUIPMENT.**

TABLE OF CONTENTS

<u>Description</u>	<u>Page</u>
Brake Handle Assembly	22
Caster Wheel Assembly	15-16
Controls Group	19
Cutter Housing Assembly	12
Decal Group	36
Deck Group	3-10
Deck Support Group	17
Deck Idler Assembly	11
Electrical Diagram	37
Electrical Group	35
Electrical Logic Schematic	38
Engine Group	27-31
Fuel Tank Group	25
Fuel Tank Assembly	26
Height of Cut Assembly	18
Hydraulic Group	32-33
Mainframe Group	13
Motion Control Group	20
Park Brake Group	21
Pump Idler Assembly	34
ROPS Assembly	14
Seat Group	23
Seat W/Tracks Assembly	24

48" DECK GROUP



Apply lubricant to threads as needed to prevent seizing. Copper based anti-seize preferable. Grease is an acceptable substitute.

Item	Part No.	Description	Qty.
1	109-9008	Asm, Deck W/Decals 486.....	1
2	98-5975	Washer, Spring Disc 3/8.....	2
3	103-3037	Bushing, Splined	3
4	116-0133	Extension-Spring	4
5	109-9851	Axle, Anti-Scalp Roller.....	5
6	103-6401	Blade-Notched.....	3
●	103-6391	Blade, Mulching	3
	103-6386	Blade, Low Lift.....	3
	103-6381	Blade, Solid	3
	103-6396	Blade, Extreme.....	3
7	103-8415	Roller, Anti-Scalp.....	3
8	103-9522	Spacer, Splined Stepped.....	3
9	103-9523	Spacer, Splined	3
10	1-613098	Pulley-Idler	1
11	1-633109	Idler-Flat.....	1
12	116-1443	Sheave, Blade Drive 5.90.....	3
13	109-2872	Spacer-Pulley	2
14	109-2883	Asm, Deck Idler.....	1
15	109-9220	Screw, SEMS 1/2-20 x 2.19.....	3
16	109-6658	Nut, Nyloc 3/8-16 Flg.....	31
17	109-6917	Asm, Spindle Housing.....	3

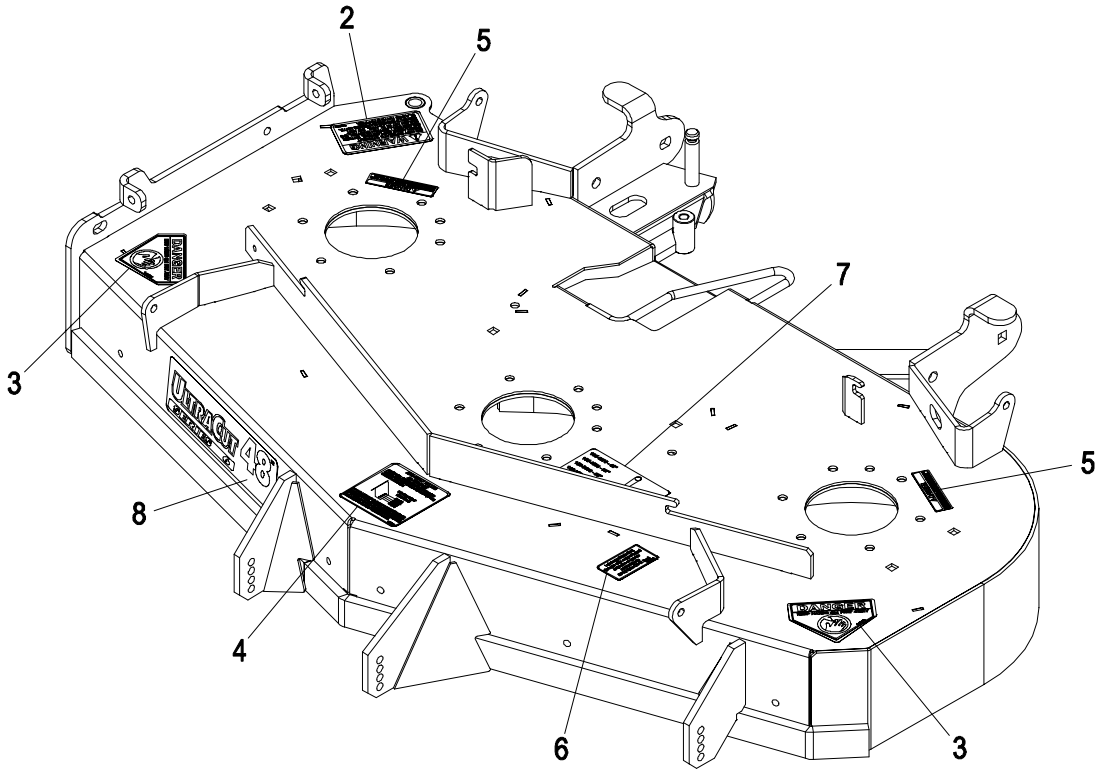
Item	Part No.	Description	Qty.
17:1	103-9504	Guard, Bottom.....	1
17:2	103-9539	Asm, Cutter Housing.....	1
17:3	109-0916	Nut, Spindle 7/8-14	1
17:4■	109-6881	Spindle, Double Spline.....	1
18	109-6935	Cover-Belt, RH.....	1
19	109-6936	Cover-Belt, LH.....	1
20	109-6982	Wireform-Cover.....	2
21	109-7033	Nut, Flange 5/8-18 Centerlock.....	3
22	109-7188	Asm, Discharge Chute	1
22:1	109-2738	Chute, Discharge	1
22:2	109-8675-01	Bracket, Discharge Chute	1
22:3	3231-22	Bolt, Carriage 3/8-16 x 1.....	3
22:4	109-6658	Nut, Nyloc 3/8-16 Flg.....	3
23	109-8070	Belt, V-B X 175.75.....	1
24	109-9010-01	Baffle, Discharge.....	1
25	3211-46	Screw, HH 3/8-24 x 2 Gr8	3
26	3231-22	Bolt, Carriage 3/8-16 x 1.....	2
27	3231-28	Bolt, Carriage 3/8-16 x 1 1/4.....	2
28	3231-44	Bolt, Carriage 3/8-16 x 2 1/2.....	2
29	109-2098	Kit, Antiscalp	3
30	109-9643	Asm, Deck Complete	1

Exmark red touch up paint (spray paint – P/N 1-850337 - .6 oz liquid bottle – P/N 103-9140).

● Requires installation of Micro-Mulch accessory for proper mulching. Mulch kit P/N MK486.

■ Apply Mobil HTS grease (P/N 103-5217 1.5 oz packet) (or a food-grade anti-seize) between the spindles and bearings. DO NOT use a copper or nickel based anti-seize.

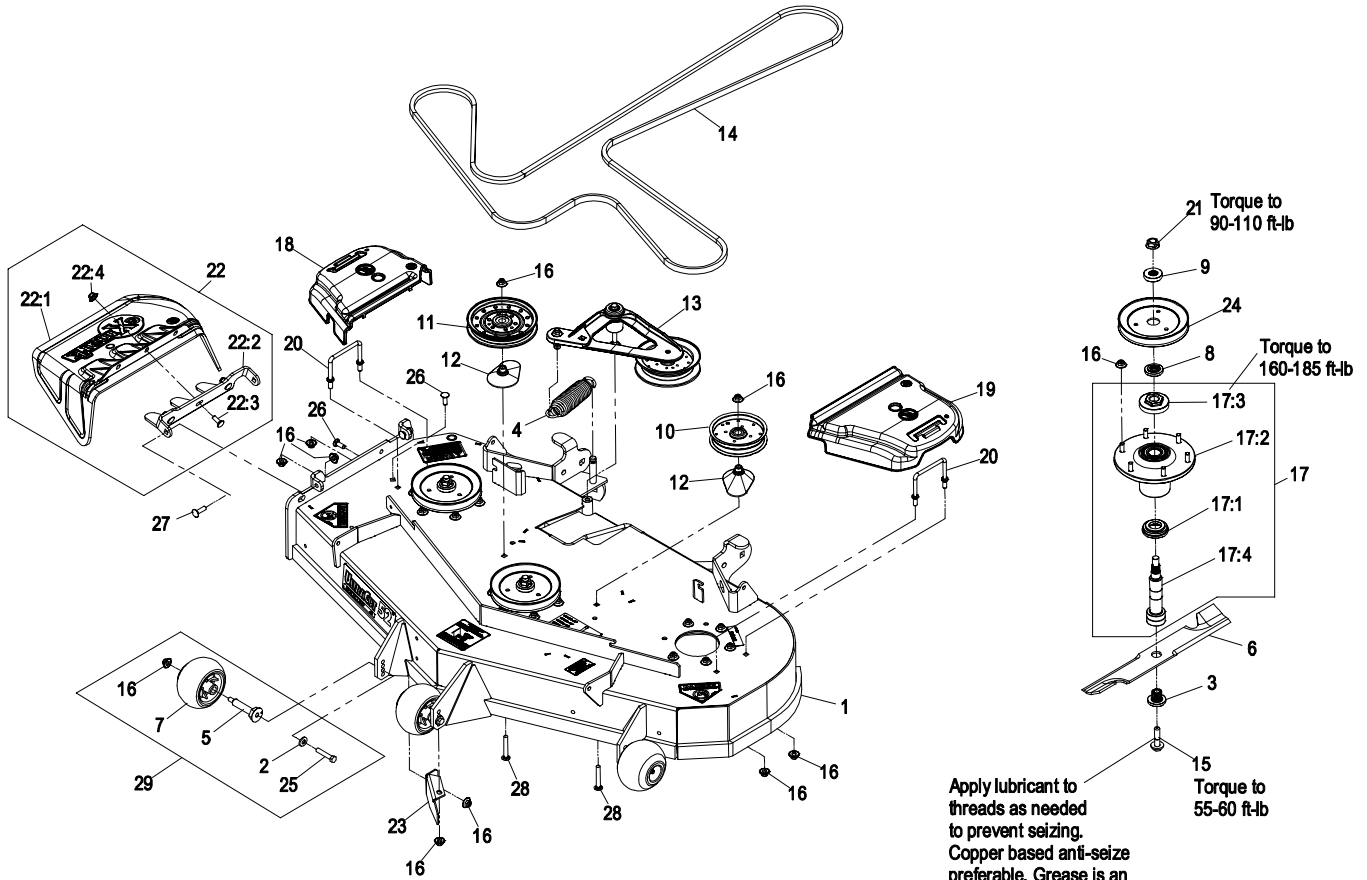
48" DECK W/DECALS ASSEMBLY – 109-9008



Item	Part No.	Description	Qty.
2	1-303508	Decal, Discharge Warning	1
3	1-403005	Decal, Danger	2
4	1-633922	Decal, Anti-Scalp	1
5	98-5954	Decal, Danger	2

Item	Part No.	Description	Qty.
6	109-3148	Decal, Bolt Torque	1
7	109-9361	Decal, Belt Routing	1
8	109-9437	Decal, Ultracut 48	1

52" DECK GROUP



Item	Part No.	Description	Qty.
1	109-9149	Asm, Deck W/ Decals 526.....	1
2	98-5975	Washer, Spring Disc 3/8.....	3
3	103-3037	Bushing, Splined	3
4	116-0133	Extension-Spring	1
5	109-9851	Axle, Anti-Scalp Roller.....	3
6	103-6402	Blade-Notched.....	3
●	103-6392	Blade, Mulching	3
	103-6387	Blade, Low Lift.....	3
	103-6382	Blade, Solid	3
	103-6397	Blade, Extreme.....	3
7	103-8415	Roller, Anti-Scalp.....	3
8	103-9522	Spacer, Splined Stepped.....	3
9	103-9523	Spacer, Splined	3
10	1-613098	Pulley-Idler	1
11	1-633109	Idler, Flat	1
12	109-2872	Spacer-Pulley	2
13	109-2883	Asm, Deck Idler	1
14	109-4994	Belt, V-B X 186.00".....	1
15	109-9220	Screw, SEMS 1/2-20 x 2.19.....	3
16	109-6658	Nut, Nyloc 3/8-16 Flg.....	31
17	109-6917	Asm, Spindle Housing	3

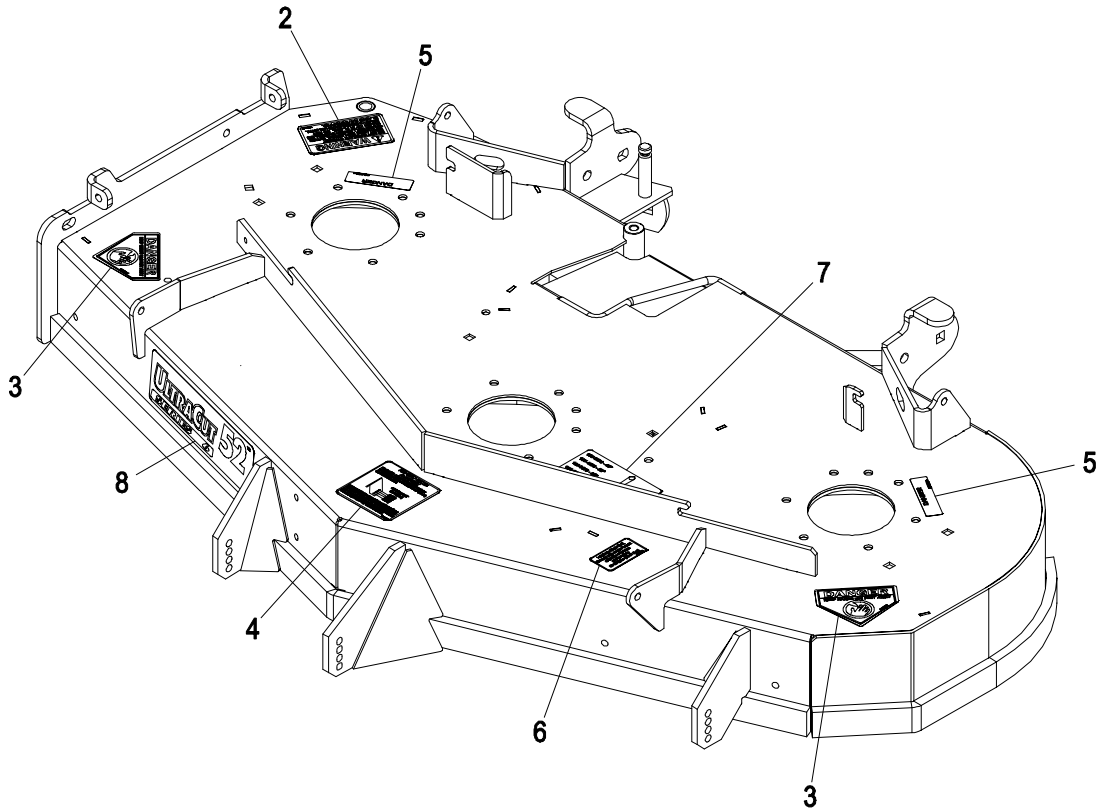
Item	Part No.	Description	Qty.
17:1	103-9504	Guard, Bottom.....	1
17:2	103-9539	Asm, Cutter Housing	1
17:3	109-0916	Nut, Spindle 7/8-14	1
17:4■	109-6881	Spindle, Double Spline	1
18	109-6935	Cover-Belt, RH.....	1
19	109-6936	Cover-Belt, LH.....	1
20	109-6982	Wireform-Cover.....	2
21	109-7033	Nut, Flange 5/8-18 Centerlock.....	3
22	109-7188	Asm, Discharge Chute	1
22:1	109-2738	Chute, Discharge	1
22:2	109-8675-01	Bracket, Discharge Chute	1
22:3	3231-22	Bolt, Carriage 3/8-16 x 1.....	3
22:4	109-6658	Nut, Nyloc 3/8-16 Flg.....	3
23	109-9915-01	Baffle, Discharge 52/60.....	1
24	116-0185	Sheave, Blade Drive.....	3
25	3211-46	Screw, HH 3/8-24 x 2 Gr8	3
26	3231-22	Bolt, Carriage 3/8-16 x 1.....	2
27	3231-28	Bolt, Carriage 3/8-16 x 1 1/4.....	2
28	3231-44	Bolt, Carriage 3/8-16 x 2 1/2.....	2
29	109-2098	Kit, Antiscalp	3
30	109-9645	Asm, Deck Complete	1

Exmark red touch up paint (spray paint – P/N 1-850337 - .6 oz liquid bottle – P/N 103-9140).

● Requires installation of Micro-Mulch accessory for proper mulching. Mulch kit P/N MK526.

■ Apply Mobil HTS grease (P/N 103-5217 1.5 oz packet) (or a food-grade anti-seize) between the spindles and bearings. DO NOT use a copper or nickel based anti-seize.

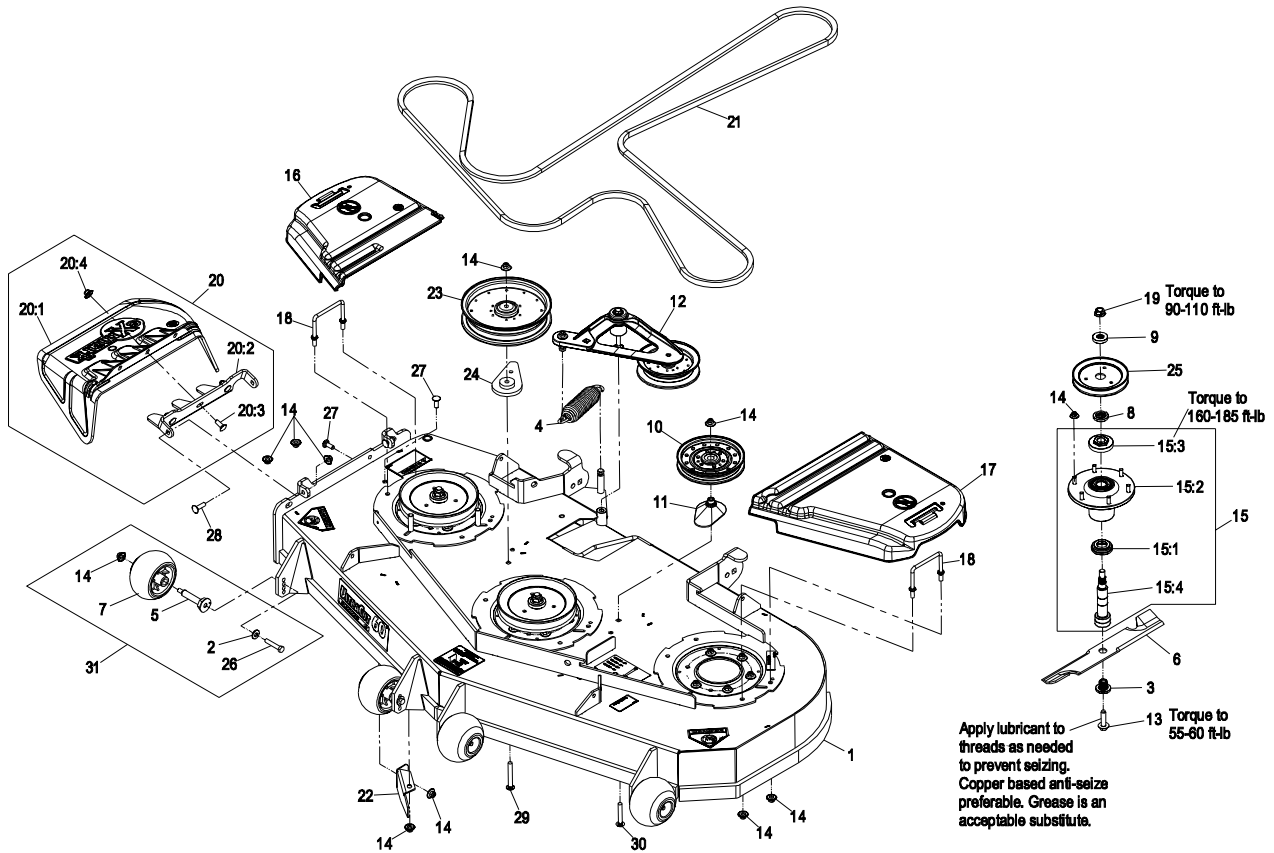
52" DECK W/DECALS ASSEMBLY – 109-9149



Item	Part No.	Description	Qty.
2	1-303508	Decal, Warning, Discharge	1
3	1-403005	Decal, Danger	2
4	1-633922	Decal, Antiscalp	1
5	98-5954	Decal, Cover, Missing	2

Item	Part No.	Description	Qty.
6	109-3148	Decal, Bolt Torque.....	1
7	109-9361	Decal, Belt Routing.....	1
8	109-9438	Decal, Ultracut 52 Series 6	1

60" DECK GROUP



Item	Part No.	Description	Qty.
1	109-9148	Asm, Deck W/ Decals 606.....	1
2	98-5975	Washer, Spring Disc 3/8.....	4
3	103-3037	Bushing, Splined	3
4	116-0133	Extension-Spring	1
5	109-9851	Axle, Anti-Scalp Roller.....	4
6	103-6403	Blade, Notched 20.5 (.94 Hole).....	3
●	103-6393	Blade, Mulching.....	3
	103-6388	Blade, Low Lift.....	3
	103-6383	Blade, Solid.....	3
	103-6398	Blade, Extreme.....	3
7	103-8415	Roller, Anti-Scalp.....	4
8	103-9522	Spacer, Splined Stepped.....	3
9	103-9523	Spacer, Splined	3
10	1-633109	Idler-Flat.....	1
11	109-2872	Spacer-Pulley	1
12	109-2883	Asm, Deck Idler.....	1
13	109-9220	Screw, SEMS 1/2-20 x 2.19.....	3
14	109-6658	Nut, Nyloc 3/8-16 Flg.....	32
15	109-6917	Asm, Spindle Housing	3
15:1	103-9504	Guard, Bottom.....	1
15:2	103-9539	Asm, Cutter Housing	1
15:3	109-0916	Nut, Spindle 7/8-14.....	1

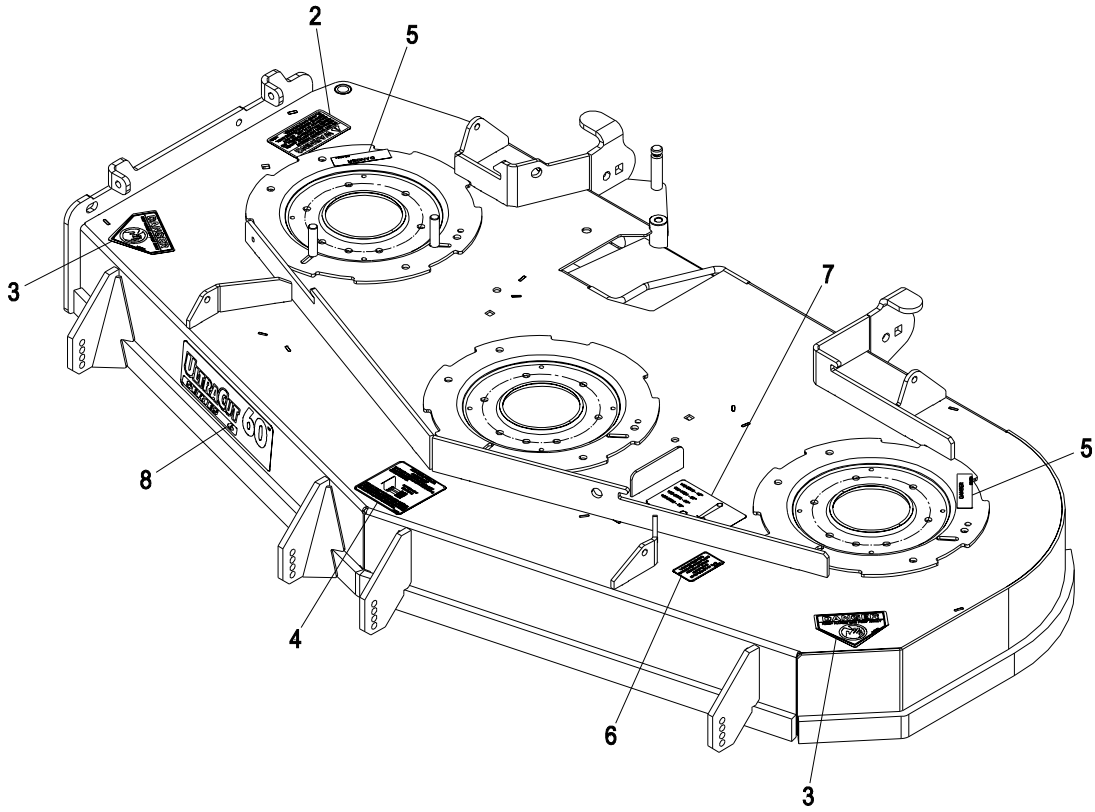
Item	Part No.	Description	Qty.
15:4	109-6881	Spindle, Double Spline	1
16	116-0094	Cover-Belt, RH.....	1
17	109-6938	Cover-Belt, LH.....	1
18	109-6982	Wireform-Cover.....	2
19	109-7033	Nut, Flange 5/8-18 Centerlock.....	3
20	109-7188	Asm, Discharge Chute	1
20:1	109-2738	Chute, Discharge	1
20:2	109-8675-01	Bracket, Discharge Chute	1
20:3	3231-22	Bolt, Carriage 3/8-16 x 1.....	3
20:4	109-6658	Nut, Nyloc 3/8-16 Flg.....	3
21	109-8073	Belt, V-5V-198.75.....	1
22	109-9915-01	Baffle, Discharge 52/60.....	1
23	109-8590	Pulley-Idler	1
24	109-9416	Spacer-Idler	1
25	109-9511	Sheave, Blade Drive 7.25.....	3
26	3211-46	Screw, HH 3/8-24 x 2 Gr8	4
27	3231-22	Bolt, Carriage 3/8-16 x 1.....	2
28	3231-28	Bolt, Carriage 3/8-16 x 1 1/4.....	2
29	3231-42	Bolt, Carriage 3/8-16 x 3.....	1
30	3231-44	Bolt, Carriage 3/8-16 x 2 1/2.....	1
31	109-2098	Kit, Antiscalp	4
32	109-9647	Asm, Deck Complete 606	1

Exmark red touch up paint (spray paint – P/N 1-850337 - .6 oz liquid bottle – P/N 103-9140).

● Requires installation of Micro-Mulch accessory for proper mulching. Mulch kit P/N MK606.

■ Apply Mobil HTS grease (P/N 103-5217 1.5 oz packet) (or a food-grade anti-seize) between the spindles and bearings. DO NOT use a copper or nickel based anti-seize.

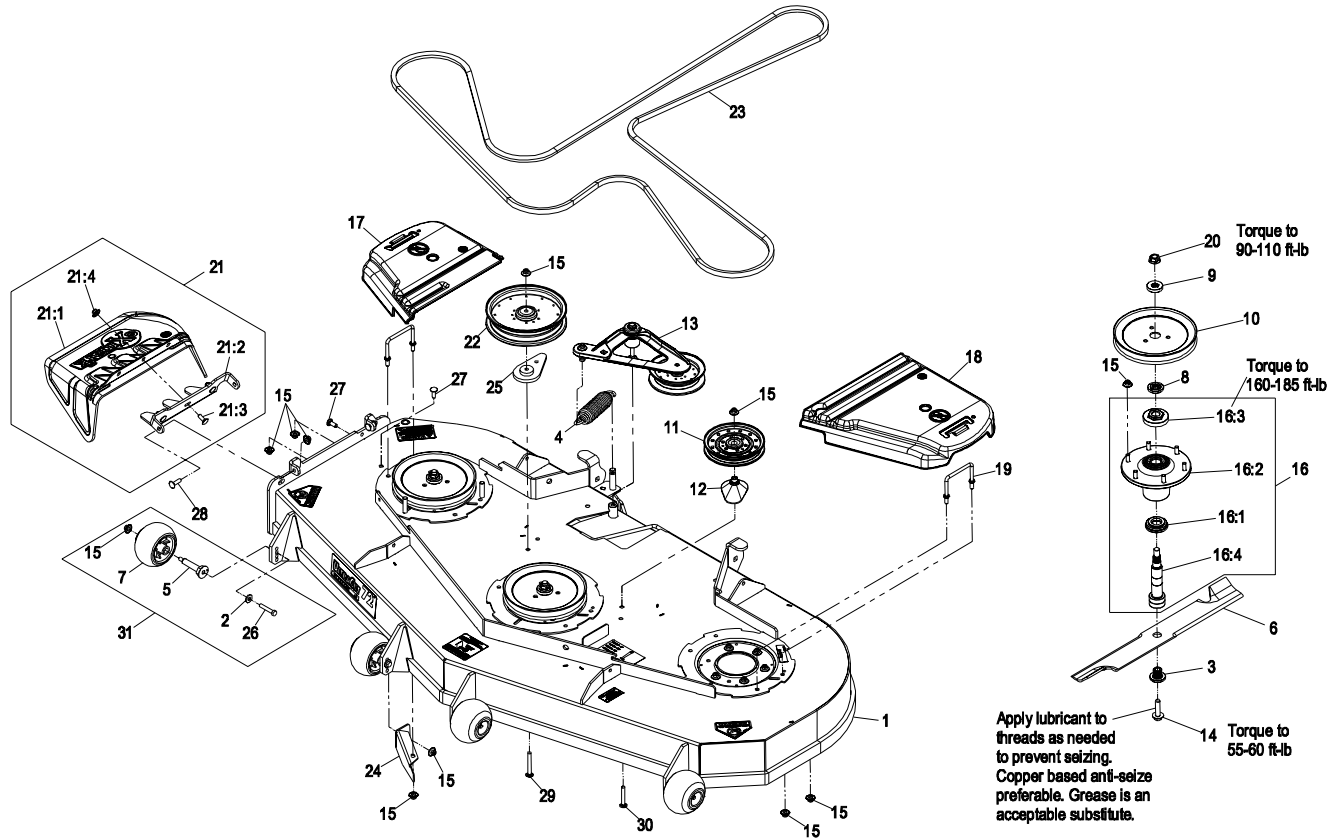
60" DECK W/DECALS ASSEMBLY – 109-9148



Item	Part No.	Description	Qty.
2	1-303508	Decal, Warning, Discharge	1
3	1-403005	Decal, Danger	2
4	1-633922	Decal, Antiscalp	1
5	98-5954	Decal, Cover, Missing	2

Item	Part No.	Description	Qty.
6	109-3148	Decal, Bolt Torque	1
7	109-9361	Decal, Belt Routing	1
8	109-9439	Decal, Ultracut 60 Series 6	1

72" DECK GROUP



Item	Part No.	Description	Qty.
1	109-9133	Asm, Deck W/ Decals 726.....	1
2	98-5975	Washer, Spring Disc 3/8.....	4
3	103-3037	Bushing, Splined	3
4	116-0133	Spring, Extension	1
5	109-9851	Axle, Anti-Scalp Roller.....	4
6	103-6404	Blade, Notched.....	3
●	103-6394	Blade, Mulching.....	3
	103-6389	Blade, Low Lift.....	3
	103-6384	Blade, Solid.....	3
	103-6399	Blade, Extreme.....	3
7	103-8415	Roller, Anti-Scalp.....	4
8	103-9522	Spacer, Splined Stepped.....	3
9	103-9523	Spacer, Splined.....	3
10	109-2180	Sheave, Blade Drive 9.00.....	3
11	1-633109	Idler, Flat.....	1
12	109-2872	Spacer, Pulley.....	1
13	109-2883	Asm, Deck Idler.....	1
14	109-9220	Screw, SEMS Hex 1/2-20 x 2.18.....	3
15	109-6658	Nut, Nyloc 3/8-16 Flg.....	32
16	109-6917	Asm, Spindle Housing.....	3
16:1	103-9504	Guard, Bottom.....	1
16:2	103-9539	Asm, Cutter Housing.....	1

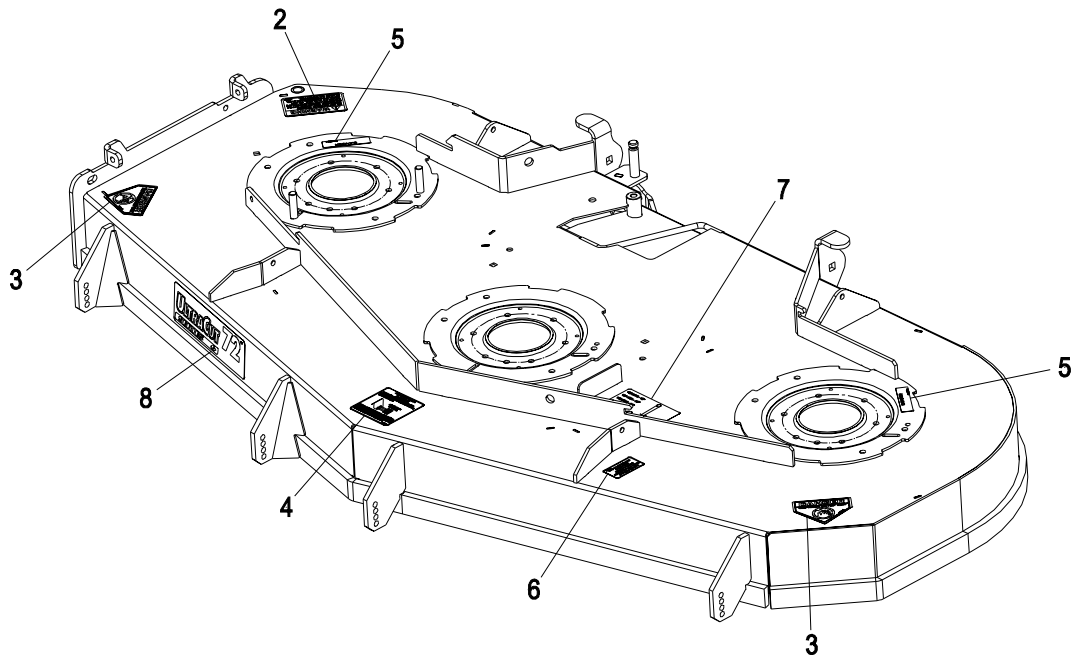
Item	Part No.	Description	Qty.
16:3	109-0916	Nut, Spindle 7/8-14	1
16:4	109-6881	Spindle, Double Spline.....	1
17	116-0094	Cover, Belt RH 60-72	1
18	109-6938	Cover, Belt LH 60-72.....	1
19	109-6982	Wireform, Cover.....	2
20	109-7033	Nut, Flange 5/8-18 Centerlock.....	3
21	109-7188	Asm, Discharge Chute	1
21:1	109-2738	Chute, Discharge	1
21:2	109-8675-01	Bracket, Discharge Chute	1
21:3	3231-22	Bolt, Carriage 3/8-16 x 1.....	3
21:4	109-6658	Nut, Nyloc 3/8-16 Flg.....	3
22	109-8590	Pulley, Idler 8 In Flanged.....	1
23	109-9023	Belt, V-5V X 219.00".....	1
24	109-9695-01	Baffle, Discharge 726.....	1
25	109-9416	Wld, Spacer Idler	1
26	3211-46	Screw, HH 3/8-24 x 2 Gr8	4
27	3231-22	Bolt, Carriage 3/8-16 x 1.....	2
28	3231-28	Bolt, Carriage 3/8-16 x 1 1/4.....	2
29	3231-42	Bolt, Carriage 3/8-16 x 3.....	1
30	3231-44	Bolt, Carriage 3/8-16 x 2 1/2.....	1
31	109-2098	Kit, Antiscalp	3
32	109-9649	Asm, Deck Complete 726	1

Exmark red touch up paint (spray paint – P/N 1-850337 - .6 oz liquid bottle – P/N 103-9140).

● Requires installation of Micro-Mulch accessory for proper mulching. Mulch kit P/N MK726

■ Apply Mobil HTS grease (P/N 103-5217 1.5 oz packet) (or a food-grade anti-seize) between the spindles and bearings. DO NOT use a copper or nickel based anti-seize.

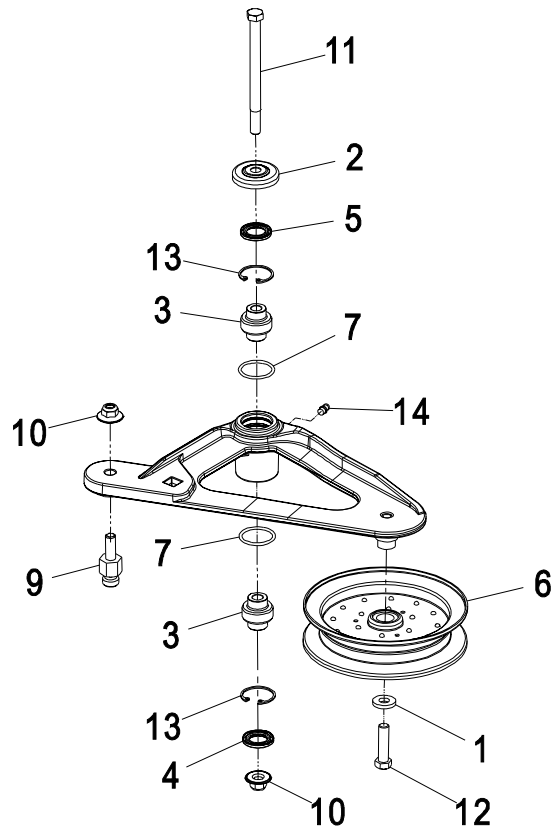
72" DECK W/DECALS ASSEMBLY – 109-9133



Item	Part No.	Description	Qty.
2	1-303508	Decal, Warning, Discharge	1
3	1-403005	Decal, Danger	2
4	1-633922	Decal, Antiscalp	1
5	98-5954	Decal, Cover, Missing	2

Item	Part No.	Description	Qty.
6	109-3148	Decal, Bolt Torque.....	1
7	109-9361	Decal, Belt Routing.....	1
8	109-9440	Decal, Ultracut 72 Series 6	1

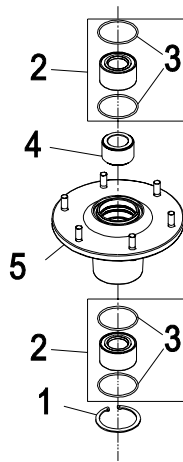
DECK IDLER ASSEMBLY – 109-2883



Item	Part No.	Description	Qty.
1	43-0940	Spacer-Hub, Blower.....	1
2	103-2916	Guard, Top.....	1
3	103-3504	Bearing, Spherical.....	2
4	103-3505	Seal, Double Lip	1
5	103-3506	Seal, Single Lip.....	1
6	103-8743	Pulley, Idler 5" Flanged	1
7	106-7159	O-Ring	2

Item	Part No.	Description	Qty.
9	109-7399	Pin, Spring Anchor.....	1
10	109-6658	Nut, Nyloc 3/8-16 Flg.....	2
11	109-7409	Screw, Shoulder 3/8-16 x 5.....	1
12	323-8	Screw, HH 3/8-16 x 1 1/2.....	1
13	32120-10	Ring, Retaining	2
14	302-19	Zerk, 1/4-28 Str.....	1

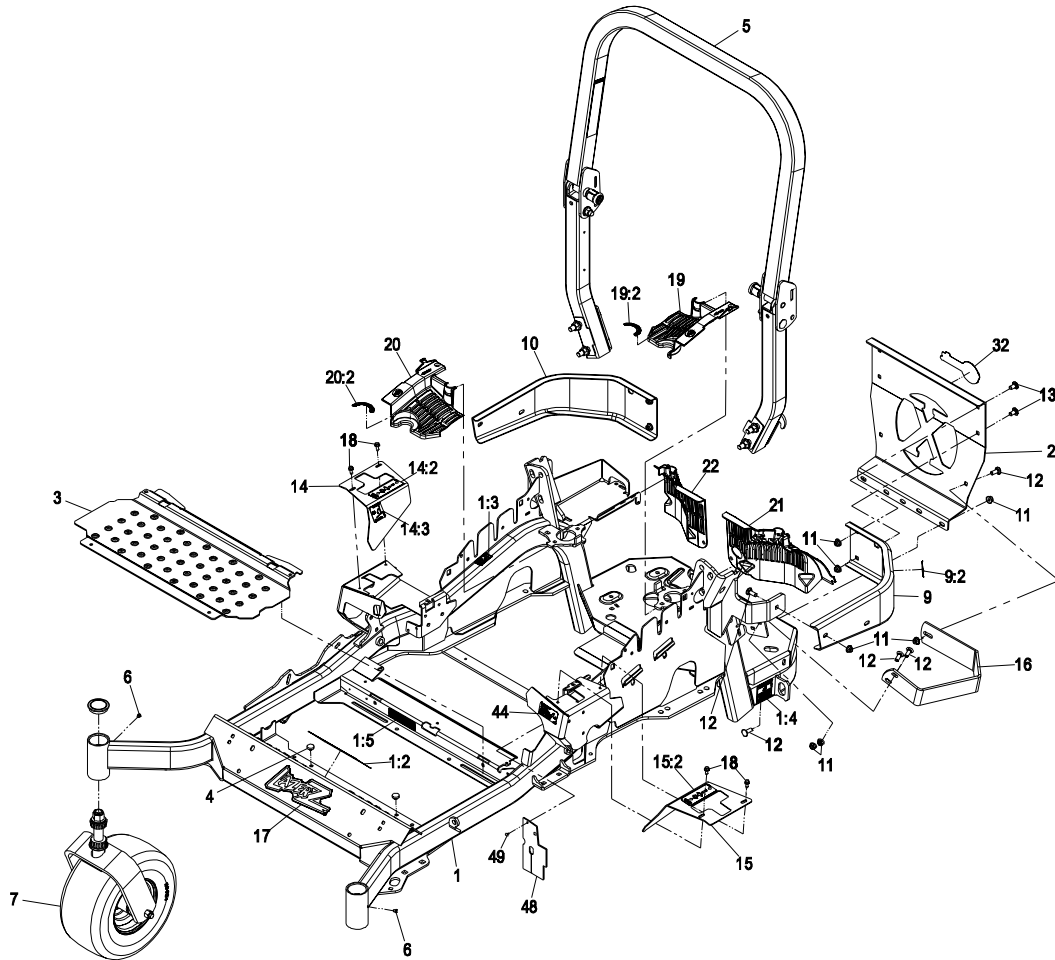
CUTTER HOUSING ASSEMBLY – 103-9539



Item	Part No.	Description	Qty.
1	92-5581	Ring-Retaining	1
2	109-2064	Asm, Bearing W/O-Rings.....	2
3	103-5895	O-Ring	4

Item	Part No.	Description	Qty.
4	103-9506	Spacer, Bearing.....	1
5	109-0764	Asm, Housing W/Studs	1

MAINFRAME GROUP



Item	Part No.	Description	Qty.
1	116-2124	Frame, Main 48/52 W/Decals	1
	116-2126	Frame, Main 60 W/Decals	1
	116-2128	Frame, Main 72 W/Decals	1
1:2	107-2112	Decal, Warning	1
1:3	103-2076	Decal, Caution Hot Surface.....	2
1:4	116-0205	Decal, Belt Drive	2
1:5	117-2718	Decal, Spark Arrester.....	1
2	109-8863-03	Plate, Rear Guard.....	1
3	116-0024-01	Floorpan	1
4	1-513658	Bumper.....	2
5	116-0230	Asm, ROPS Service	1
6	1-811010	Plug	2
7▲		Asm, Caster Wheel (60" & 72")	2
		Asm, Caster Wheel (48" & 52")	2
9	116-0180	Bumper, Rear LH W/Decal	1
9:2	103-2076	Decal, Caution Hot Surface.....	1
10	116-0057-03	Bumper, Rear RH	1
11	104-8301	Nut, Nyloc 3/8-16 Flg	11
12	3231-22	Bolt, Carriage 3/8-16 x 1	7
13	3231-21	Bolt, Carriage 3/8-16 x 3/4	4

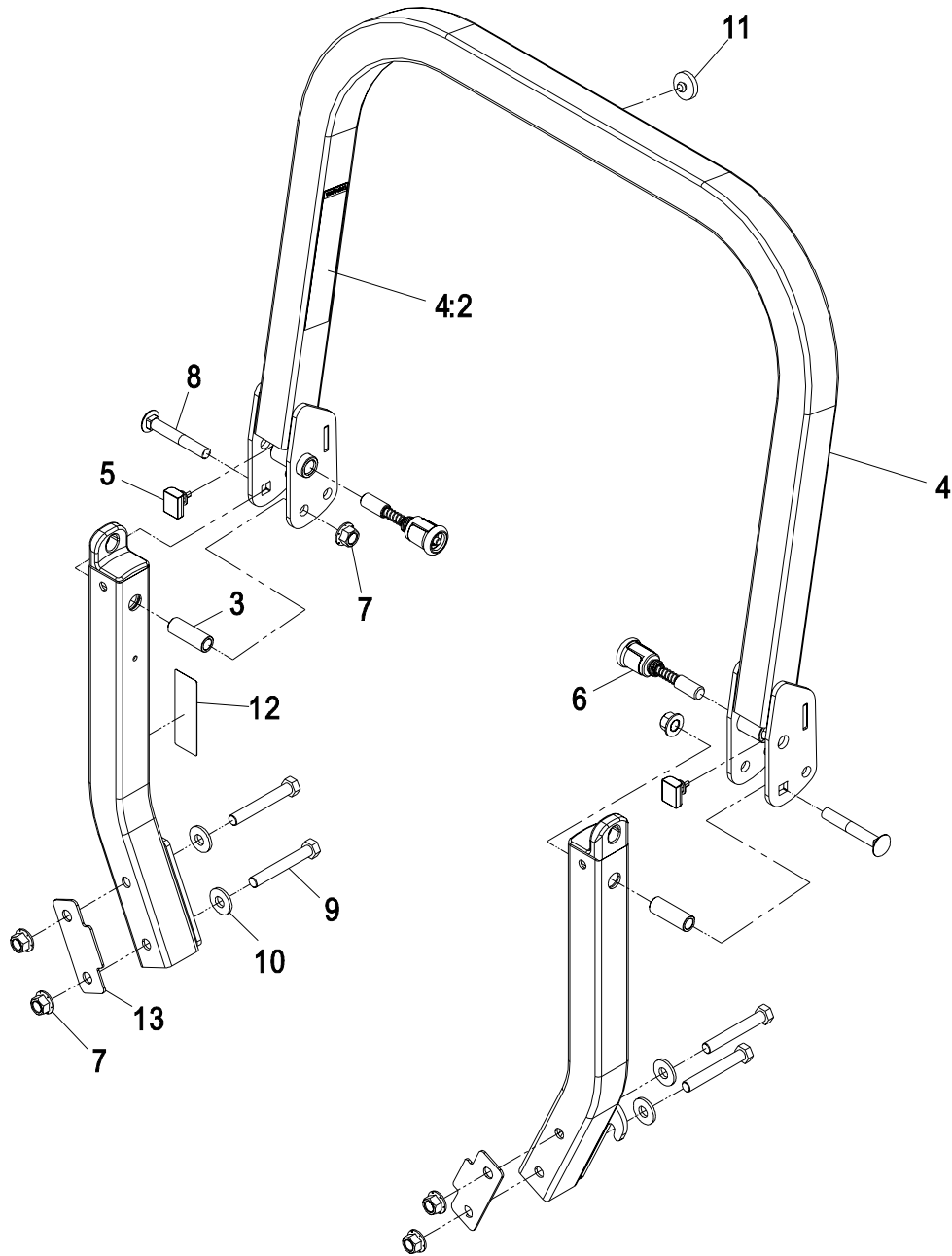
Item	Part No.	Description	Qty.
14	116-0579	Asm, Motion Control Cover W/Decal RH....	1
14:2	109-7232	Decal, Motion Control	1
14:3	109-7929	Decal, Park Brake.....	1
15	116-0580	Asm, Motion Control Cover W/Decal LH	1
15:2	109-7232	Decal, Motion Control	1
16	116-0043-03	Guard, Muffler.....	1
17	103-3113	Decal, Lazer Model.....	1
18	32144-10	Screw, HWH 1/4-20 x .62	4
19	116-0170	Asm, Guard, Hydro W/Decal	1
19:2	116-0157	Decal, Hydro Oil	1
20	116-0171	Asm, Guard, Hydro W/Decal	1
20:2	116-0157	Decal, Hydro Oil	1
21	109-9709	Guard, Hydro Rear	
		LH Trim (38HP Kohler)	1
	109-9057	Guard, Hydro Rear LH.....	1
22	109-9058	Guard, Hydro Rear RH	1
32	103-2883	Decal, Exmark Logo	1
44	116-1654	Decal, Fuel Fill.....	1
48	116-2362	Deflector, Air Flow	1
49	1-803035	Rivet.....	2

Exmark red touch up paint (spray paint – P/N 1-850337 - .6 oz liquid bottle – P/N 103-9140).

Exmark black touch up spray paint – gloss black.

▲ See pages 15 & 16.

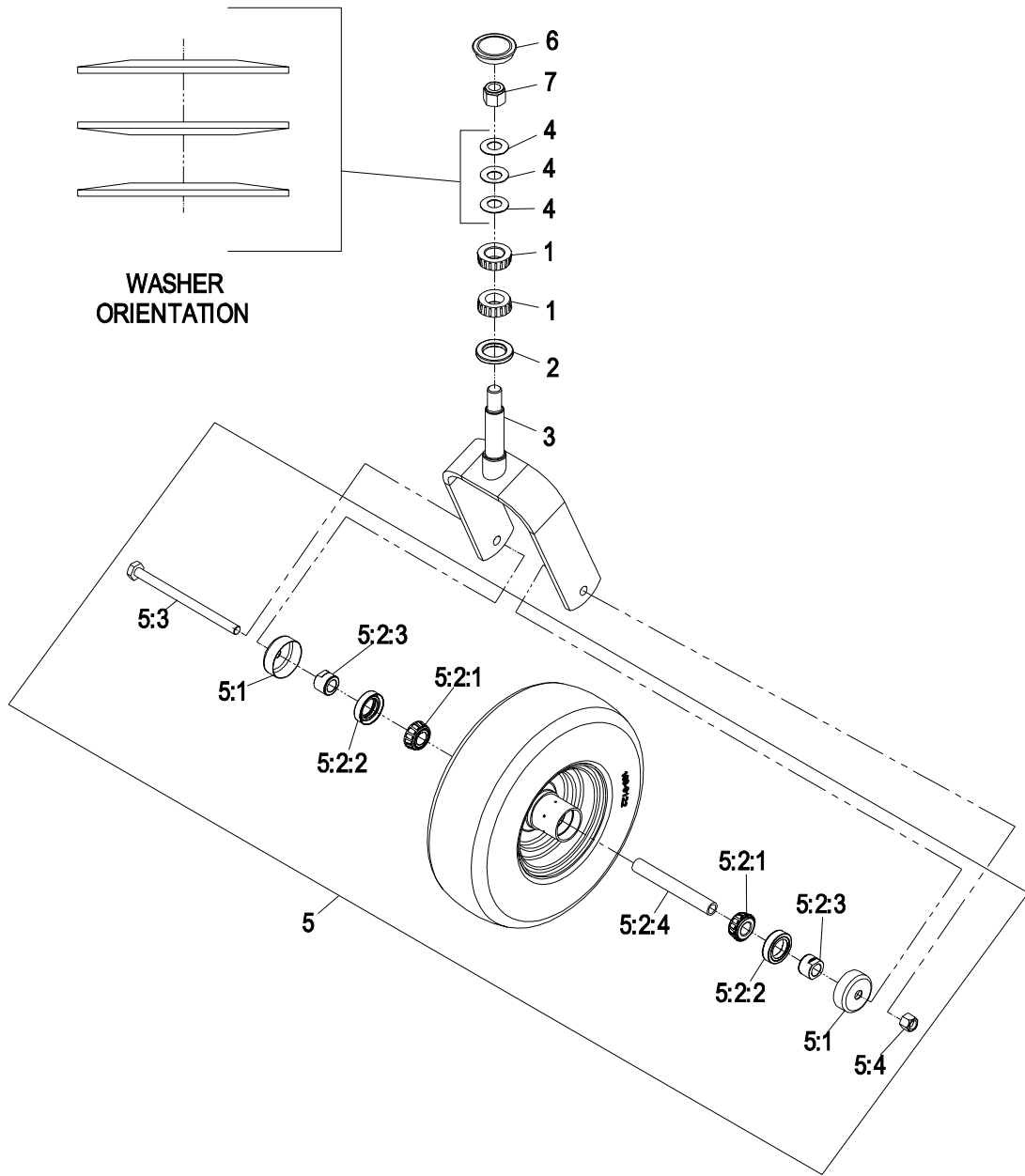
ROPS ASSEMBLY – 116-0230



Item	Part No.	Description	Qty.
3	109-6653	Spacer	2
4	116-0019	Asm, Rops Upper W/Decal	1
4:2	107-2102	Decal, Warning, Folding Rops	1
5	109-5337	Bumper, Rops.....	2
6	116-0104	Asm, Spring Pin.....	2
7	99-5107	Nut, Lock 1/2-13	6

Item	Part No.	Description	Qty.
8	3233-10	Bolt, Carriage 1/2-13 x 3 1/2	2
9	325-17	Screw, HH 1/2-13 x 4.....	4
10	109-9505	Washer, Spring Disc 1/2.....	4
11	109-9233	Bumper, Rubber Push-In	1
12	116-0090	Decal, Caution Fuel Vent.....	1
13	116-0960	Spacer.....	2

CASTER WHEEL ASSEMBLY – 48” & 52”



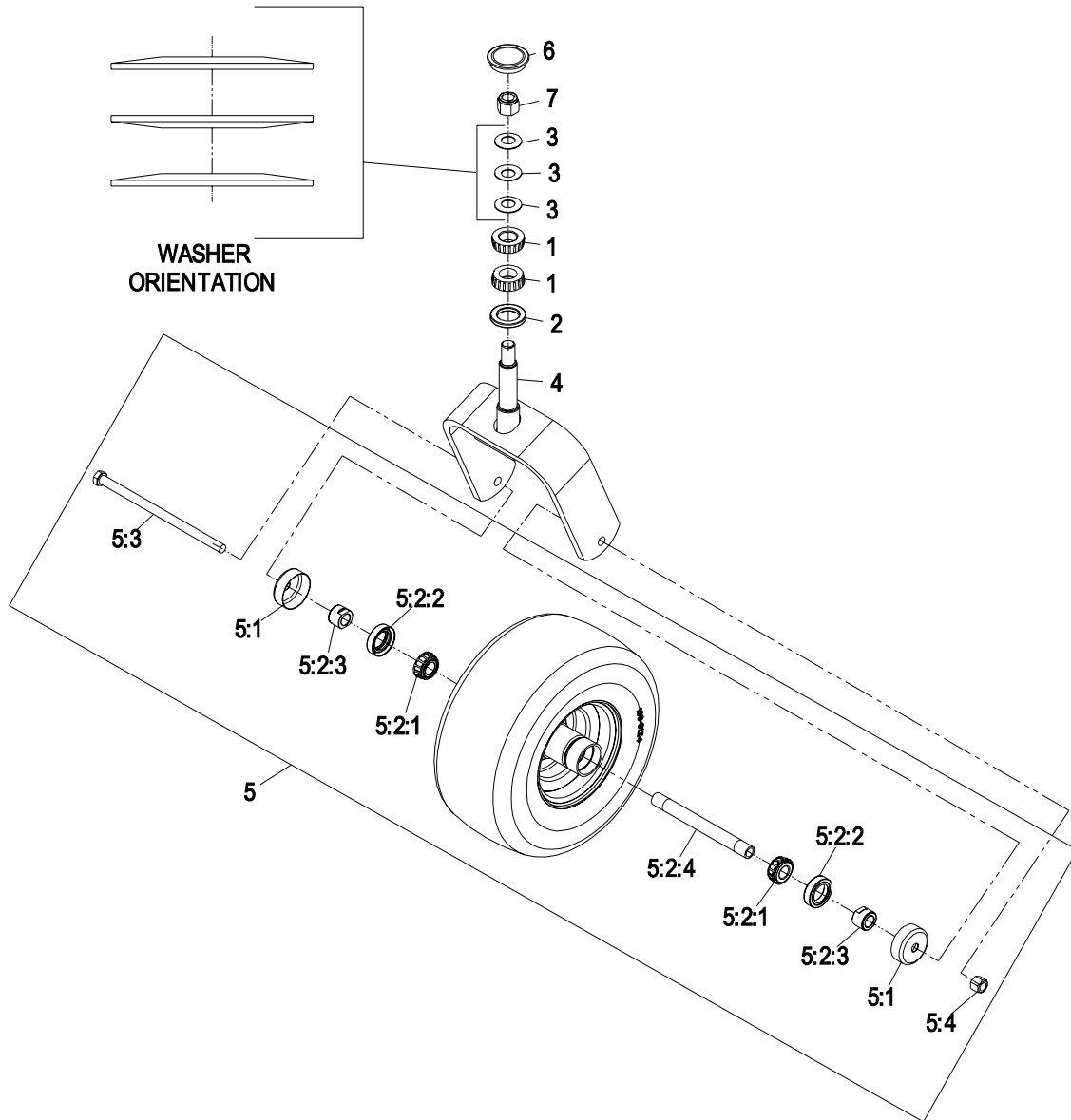
Item	Part No.	Description	Qty.
1	1-543509	Cone, Bearing Tapered Roller	2
2	1-543511	Seal, Grease	1
3	116-1092-01	Wld, Caster Fork	1
4	1-633508	Washer, Spring Disc.....	3
5	109-9126	Asm, Wheel And Tire W/Axle (semi-pneumatic).....	1
5:1	103-2768	Guard, Seal	2
5:2:1	1-633585	Bearing, Cone Tapered Roller	2

Item	Part No.	Description	Qty.
5:2:2	103-0063	Seal, Double Lip.....	2
5:2:3▲	103-3051	Spacer, Nut.....	2
5:2:4	103-3155	Axle, Caster	1
5:3	325-42	Screw, HH 1/2-13 x 8	1
5:4	3296-23	Nut, Nyloc 1/2-13	1
6	103-4882	Cap-Grease.....	1
7	3296-51	Nut, Nyloc 3/4-10	1

Exmark red touch up paint (spray paint – P/N 1-850337 - .6 oz liquid bottle – P/N 103-9140).

▲ Use Pro-Lock, Nut Type (P/N 1-840022, .5ml tube) on spacer nut, item 5:2:3.

CASTER WHEEL ASSEMBLY – 60” & 72”



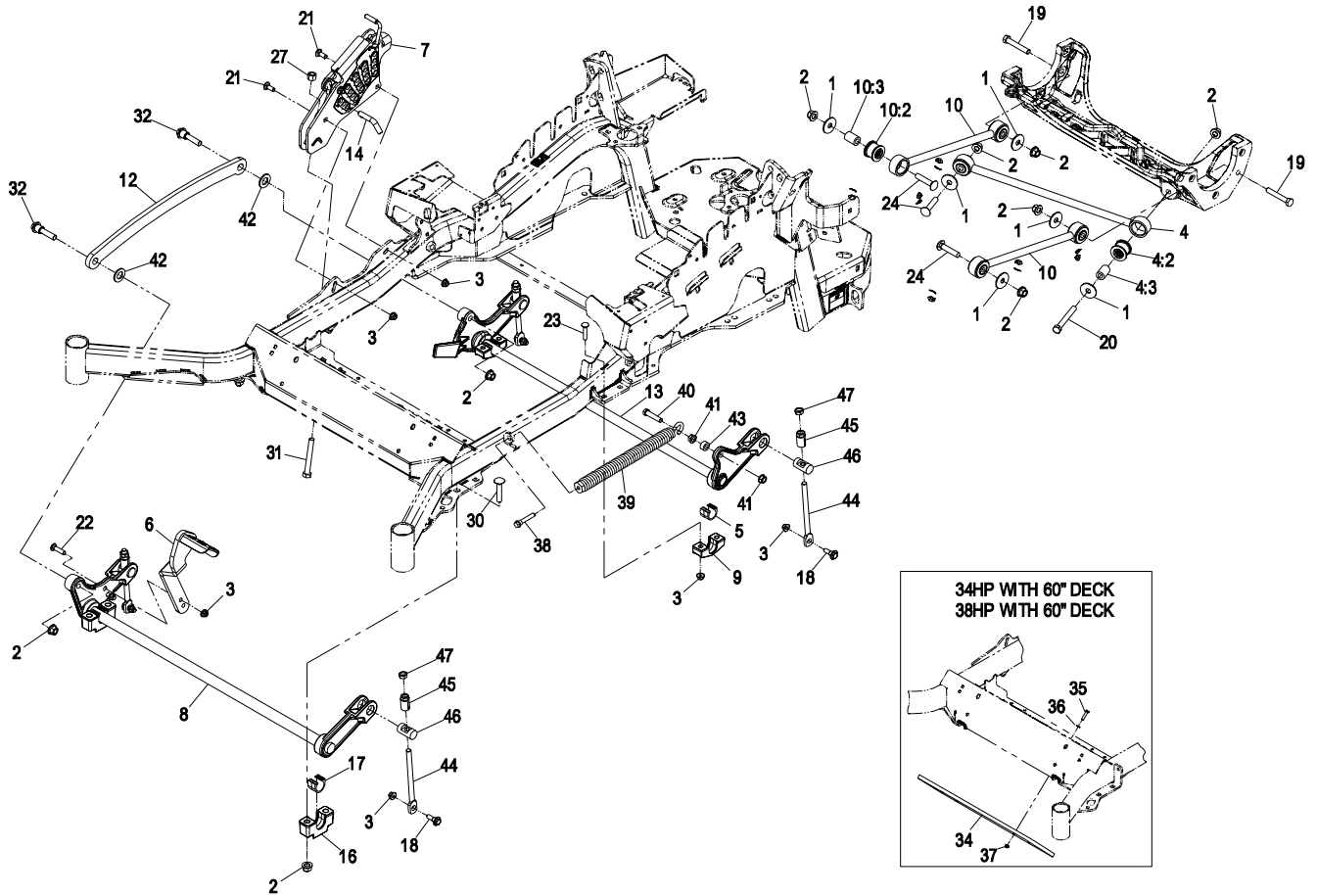
Item	Part No.	Description	Qty.
1	1-543509	Cone, Bearing Tapered Roller	2
2	1-543511	Seal, Grease	1
3	1-633508	Washer, Spring Disc.....	3
4	103-1474-01	Fork-Caster	1
5	109-9127	Asm, Wheel And Tire W/Axle (semi-pneumatic).....	1
5:1	103-2768	Guard, Seal	2
5:2:1	1-633585	Bearing, Cone Tapered Roller	2

Item	Part No.	Description	Qty.
5:2:2	103-0063	Seal, Double Lip.....	2
5:2:3▲	103-3051	Spacer, Nut.....	2
5:2:4	103-5156	Axle, Caster	1
5:3	325-39	Screw, HH 1/2-13 x 9 1/2	1
5:4	3296-23	Nut, Nyloc 1/2-13	1
6	103-4882	Cap-Grease.....	1
7	3296-51	Nut, Nyloc 3/4-10	1

Exmark red touch up paint (spray paint – P/N 1-850337 - .6 oz liquid bottle – P/N 103-9140).

▲ Use Pro-Lock, Nut Type (P/N 1-840022, .5ml tube) on spacer nut, item 5:2:3.

DECK SUPPORT GROUP

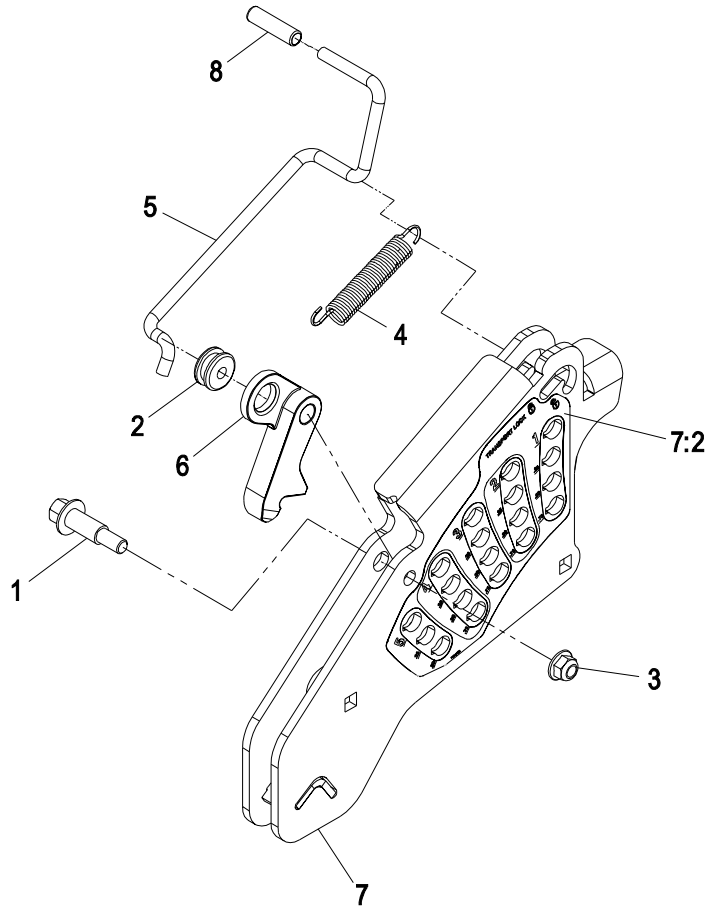


Item	Part No.	Description	Qty.
1	86-1990	Washer	6
2	99-5107	Nut, Lock 1/2-13	12
3	104-8301	Nut, Nyloc 3/8-16 Flg	12
4	109-5013	Panhard Rod Asm	1
4:2	109-5009	Bushing-Suspension, Rubber.....	2
4:3	109-5010	Spacer	2
5	109-7173	Bearing-Cross, Rear Shaft.....	2
6	116-1919-01	Wld, Foot Lever	1
7	109-7438	Asm, HOC	1
8	116-1771-03	Wld, Deck Lift-Front.....	1
9	116-0818-03	Support-Bearing, Cross Shaft Rear.....	2
10	109-7952	Deck Strut Asm.....	2
10:2	109-5009	Bushing-Suspension, Rubber.....	2
10:3	109-5010	Spacer	2
12	116-0797-03	Link-Lift, Deck.....	1
13	116-2645-03	Wld, Deck Lift Rear.....	1
14	109-8757	Pin-Hoc.....	1
16	109-9409	Support-Cross Shaft, Bearing Front	2
17	109-9410	Bearing-Shaft Front, Cross	2
18	109-9840	Screw, Hex Flange 3/8-16 x .80	4
19	325-12	Screw, HH 1/2-13 x 3.....	2
20	325-17	Screw, HH 1/2-13 x 4.....	1
21	3231-2	Bolt, Carriage 3/8-16 x 1	2

Item	Part No.	Description	Qty.
22	3231-4	Bolt, Carriage 3/8-16 x 1 1/2.....	2
23	3231-5	Bolt, Carriage 3/8-16 x 1 3/4.....	4
24	3233-34	Bolt, Carriage 1/2-13 x 2 1/2.....	3
27	3296-23	Nut, Nyloc 1/2-13.....	1
30	116-1700	Bolt, Carriage 1/2-13 x 2 1/2 spl neck....	4
31	116-0559	Bolt, HH 1/2-13 x 4 tap	1
32	116-2022	Screw, Hex Flange 1/2-13 x 1.90.....	2
34	116-0827-01	Weight, Toe Board.....	1
35	321-8	Screw, HH 1/4-20 x 1 1/4.....	4
36	3256-22	Washer, 1/4 SAE.....	4
37	104-7201	Nut, Nyloc 1/4-20 Flg.....	4
38	92-7674	Bolt-Shoulder.....	1
39	116-0000	Extension Spring Asm (60" & 72").....	1
	116-0886	Extension Spring Asm (48" & 52").....	1
40	109-9065	Screw, HH 7/16-14 x 2.....	1
41	32128-37	Nut, Whizlock 7/16-14	2
42	3256-28	Washer, 3/4 SAE.....	2
43	116-2695	Spacer	1
44	109-8007	Link Adjuster, Deck Lift.....	4
45	109-7840	Adjuster, Deck Lift	4
46	109-8353	Trunnion	4
47	3218-5	Nut, Jam 1/2-13.....	4

Exmark red touch up paint (spray paint – P/N 1-850337 - .6 oz liquid bottle – P/N 103-9140)

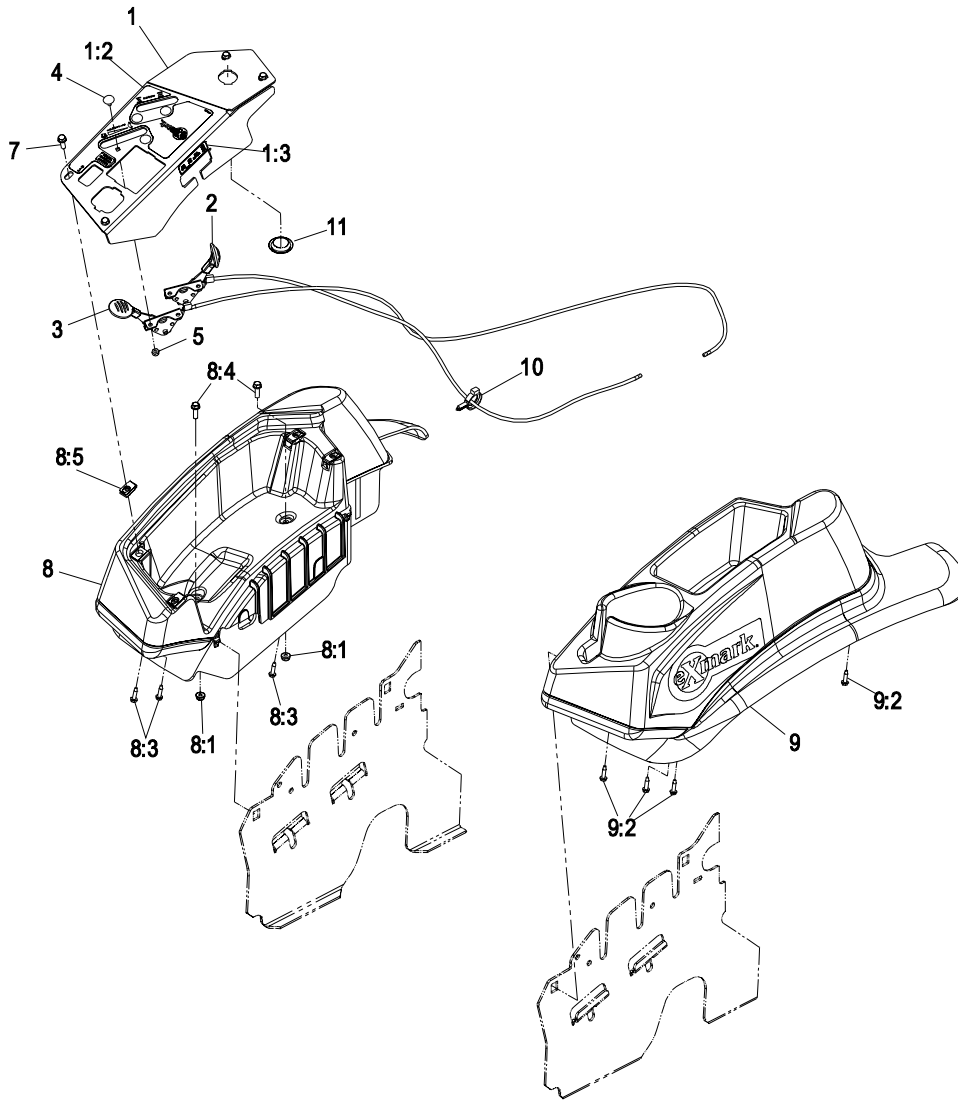
HEIGHT OF CUT ASSEMBLY – 109-7438



Item	Part No.	Description	Qty.
1	62-1330	Bolt-Shoulder	1
2	109-7130	Grommet.....	1
3	104-8301	Nut, Nyloc 3/8-16 Flg	1
4	109-7124	Spring, Extension.....	1
5	109-7128	Rod, Transport Lock	1

Item	Part No.	Description	Qty.
6	116-0118	Pawl, Transfer Lock.....	1
7	109-7335	Asm, Hoc Plate W/Decal	1
7:2	116-0752	Decal, Cut Of Height.....	1
8	109-8250	Grip, Lever.....	1

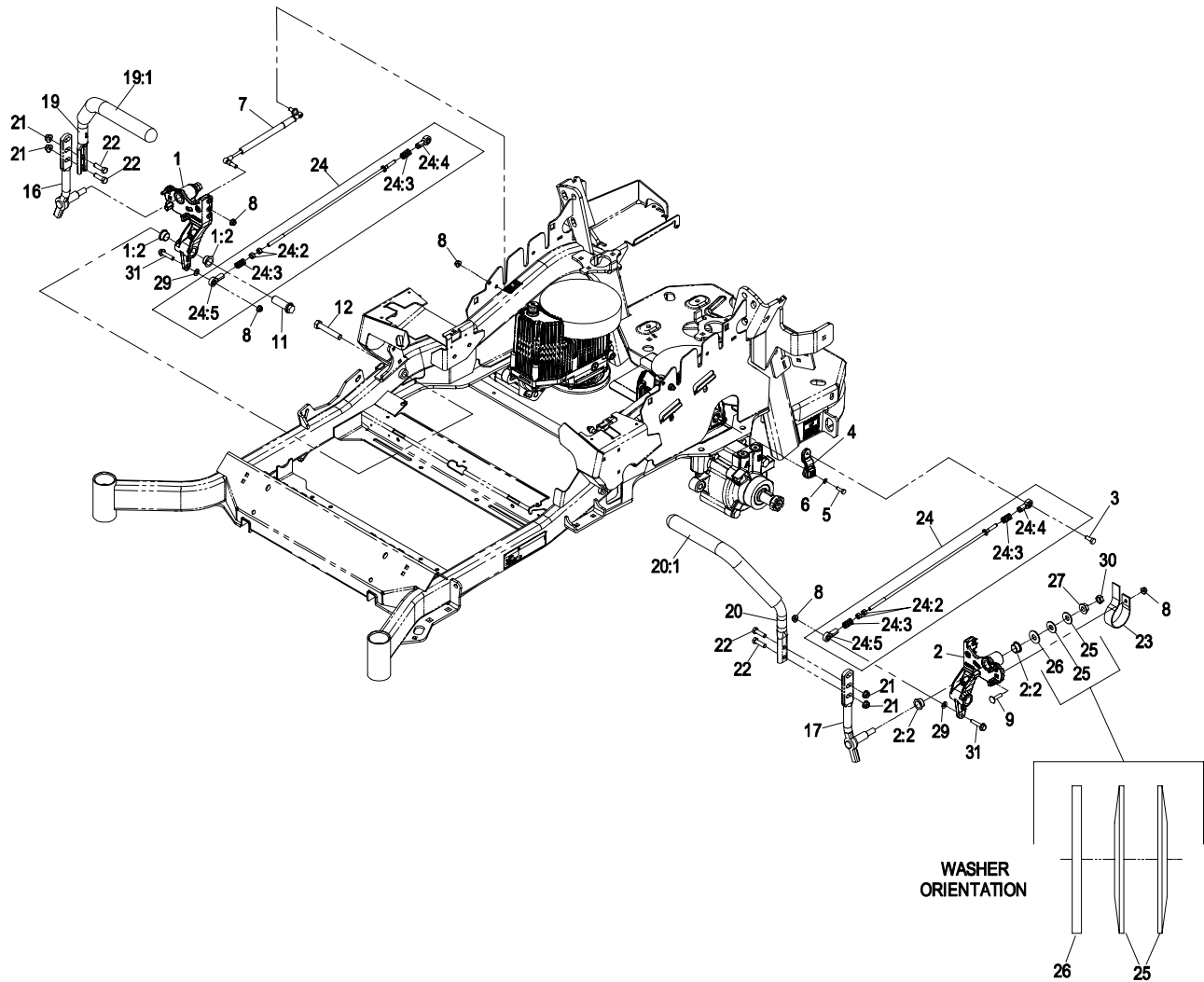
CONTROLS GROUP



Item	Part No.	Description	Qty.
1	109-8484	Console, Panel W/Decal (38HP Kohler and all Kawasaki).....	1
	116-2845	Console, Panel W/Decal (EFI)	1
	116-1845	Console, Panel W/Decal (All Kohlers except 38HP Kohler & EFI) .	1
1:2	109-8483	Decal, Control Panel (All except EFI)	1
	116-2844	Decal, Control Panel (EFI)	1
1:3	109-7330	Decal, Fuse	1
2	109-4601	Asm, Choke Cable (34HP Kawasaki).....	1
	109-8165	Asm, Choke Cable (All Kohler except EFI)	1
	109-8167	Asm, Choke Cable (24HP & 29HP Kawasaki)	1
3	109-4602	Asm, Throttle Cable (34HP Kawasaki)...	1
	116-0969	Asm, Throttle Cable (Kohler).....	1
	116-1972	Asm, Throttle Cable (all Kawasaki except 34HP Kawasaki) ...	1

Item	Part No.	Description	Qty.
4	1-807513	Bolt, Carriage #10-24 x 1/2 (All except EFI)	4
	1-807513	Bolt, Carriage #10-24 x 1/2 (EFI)	2
5	3296-2	Nut, Nyloc #10-24 (All except EFI).....	4
	3296-2	Nut, Nyloc #10-24 (EFI)	2
7	32105-15	Screw, Machine 1/4-20 x 3/4.....	4
8	109-9341	Console, RH Narrow Asm.....	1
8:1	104-7201	Nut, Nyloc 1/4-20 Flg.....	2
8:3	109-9345	Screw, HWH #10-14 x 3/4 TF	3
8:4	32105-15	Screw	2
8:5	107069	Clip	4
9	109-9342	Console.LH Narrow Asm	1
9:2	109-9345	Screw, HWH #10-14 x 3/4 TF	4
10	105-1853	Clamp, Hose (All units except 34HP Kawasaki & EFI)	1
	105-1853	Clamp, Hose (34HP Kawasaki)	2
11	116-1875	Plug, Plastic.....	1

MOTION CONTROL GROUP

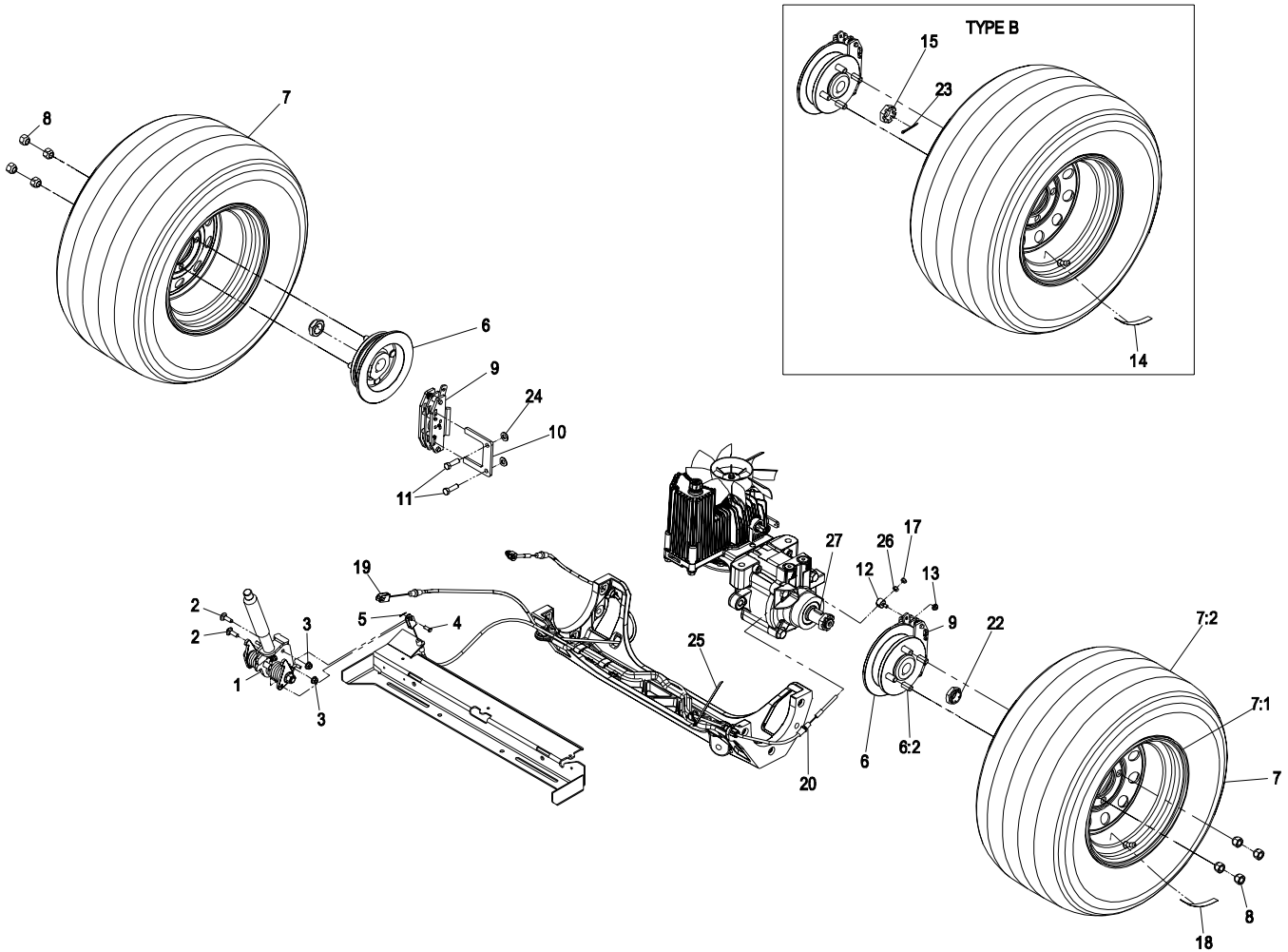


Item	Part No.	Description	Qty.
1	116-0880	Asm, Mot Ctrl/Bushing RH.....	1
1:2	109-8054	Bushing, Flanged.....	4
2	116-0881	Asm, Mot Ctrl/Bushing LH.....	1
2:2	109-8054	Bushing, Flanged.....	4
3▲	116-0648	Screw, HH 5/16-18 x 1 W/Patch	2
4	109-4581	Arm, Pump Control	2
5▲	9080046	Screw, HH 1/4-20 x 7/8.....	2
6	1-303435	Washer, Spring Disc 1/4	2
7	116-0027	Damper, Motion Control.....	2
8	104-8300	Nut, Nyloc 5/16-18 Fig	8
9	3230-2	Bolt, Carriage 5/16-18 x 1	2
11	109-5891	Hub, Threaded.....	2
12	325-12	Screw, HH 1/2-13 x 3.....	2
16	116-0039	Lever, Motion Control RH.....	1
17	116-0040	Lever, Motion Control LH	1
19	109-6589	Asm, Steering Handle RH.....	1
19:1	109-5668	Grip, Control Lever.....	1

Item	Part No.	Description	Qty.
20	109-6590	Asm, Steering Handle LH	1
20:1	109-5668	Grip, Control Lever	1
21	104-8301	Nut, Nyloc 3/8-16 Fig.....	4
22	323-7	Screw, HH 3/8-16 x 1 1/4.....	4
23	109-5575	Spring, Leaf Rtn.....	2
24	109-8106	Asm, Pump Linkage Front (60" & 72") ...	2
	109-8107	Asm, Pump Linkage Rear (48" & 52")....	2
24:2	3219-2	Nut, Hex 5/16-24.....	2
24:3	1-323245	Spring, Compression.....	2
24:4	1-633152	Balljoint.....	1
24:5	1-543017	Balljoint.....	1
25	109-9505	Washer, Spring Disc 1/2.....	4
26	3256-6	Washer.....	2
27	32128-56	Nut, Hex 1/2-13 Flange.....	2
29	3256-23	Washer.....	2
30	3218-5	Nut, Jam 1/2-13.....	2
31	115-1794	Screw, Hex Flange 5/16-18 x 1 1/2.....	2

▲ Use Pro-Lock, Nut Type (P/N 1-840022, .5ml tube).

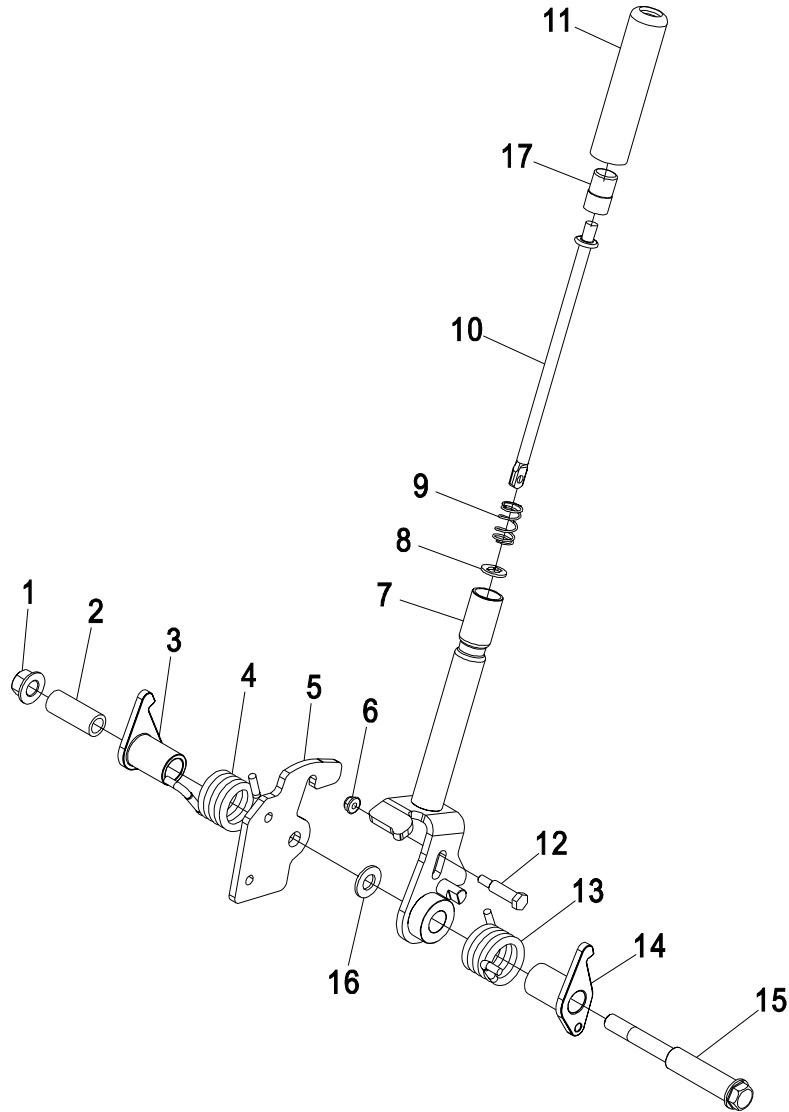
PARK BRAKE GROUP



Item	Part No.	Description	Qty.
1	116-1878	Brake Handle Asm.....	1
2	3230-2	Bolt, Carriage 5/16-18 x 1	2
3	104-8300	Nut, Nyloc 5/16-18 Flg	2
4	60-1730	Pin-Clevis	2
5	3272-1	Pin, Cotter 1/16 x 1/2	2
6	116-1746	Asm, Wheel Hub And Studs	2
6:2	116-1696	Stud-Wheel.....	4
7	109-3050	Asm, Wheel & Tire (48")	2
	109-3247	Asm, Wheel & Tire (52")	2
	109-3248	Asm, Wheel & Tire (60")	2
	109-3158	Asm, Wheel & Tire (72")	2
7:1	109-3645	Wheel (48").....	1
	109-2875	Wheel (52").....	1
	109-2871	Wheel (60").....	1
	109-3156	Wheel (72").....	1
7:2	103-2771	Tire (48" & 52")	1
	103-2744	Tire (60" & 72")	1
8	242-50	Nut, Lug 1/2-20	8

Item	Part No.	Description	Qty.
9	109-2889	Caliper-Brake.....	2
10	109-0958	Plate, Brake Mount.....	2
11	92-5727	Screw, HH 3/8-16 x 1 1/4 patch lock.....	4
12	112-8379	Swivel.....	2
13	104-7201	Nut, Nyloc 1/4-20 Flg.....	2
14	116-0165	Decal-Hub, Wheel	2
15	1-809036	Nut, Slotted 1-20.....	2
17	3296-13	Nut, Nyloc 1/4-28.....	2
18	116-2643	Decal, Hub, Wheel.....	2
19	115-3584	Cable.....	1
20	115-3585	Cable.....	1
22	116-1399	Locknut, Wheel Motor.....	2
23	1-806800	Pin, Cotter 9/64 x 1 1/2	2
24	3256-24	Washer, 3/8 SAE.....	4
25	116-0940	Tie-Cable.....	1
26	3219-1	Nut, Hex 1/4-28	2
27	3257-42	Key, Woodruff.....	2

BRAKE HANDLE ASSEMBLY – 116-1878

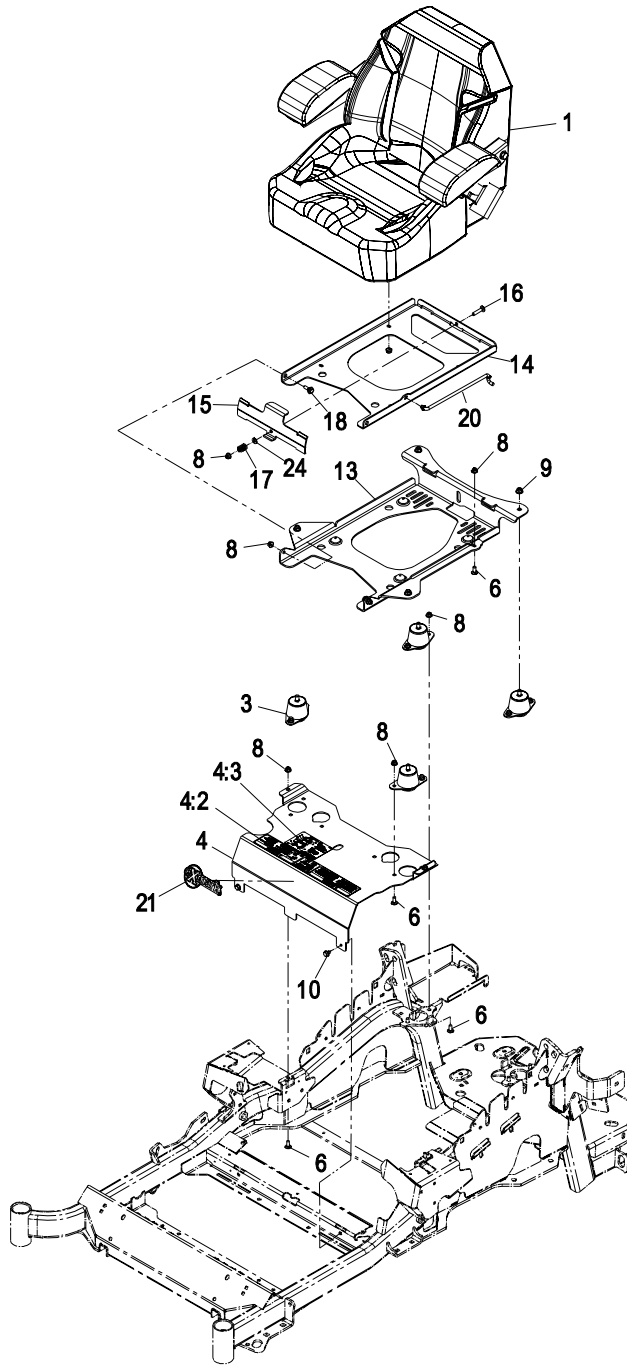


Item	Part No.	Description	Qty.
1	99-5107	Nut, Lock 1/2-13	1
2	117-0380	Spacer	1
3	115-3580	Arm-Brake, LH	1
4	117-0376	Spring-Torsion, RH	1
5	115-3574	Plate-Latch	1
6	104-7201	Nut, Nyloc 1/4-20 Flg	1
7	116-1876-03	Brake Handle Asm	1
8	114-1207	Washer-Special	1
9	114-8187	Spring-Compression	1

Item	Part No.	Description	Qty.
10	115-3581	Rod-Release, Brake	1
11	115-3592	Grip	1
12	112-8387	Bolt, HH Shoulder 1/4-20 x 1.64	1
13	117-0375	Spring-Torsion, LH	1
14	115-3579	Arm-Brake, RH	1
15	117-0379	Bolt, Shoulder 1/2-13 x 5.57	1
16	3256-26	Washer, 1/2 SAE	1
17	115-2750	Knob	1

Exmark black touch up spray paint – gloss black.

SEAT GROUP

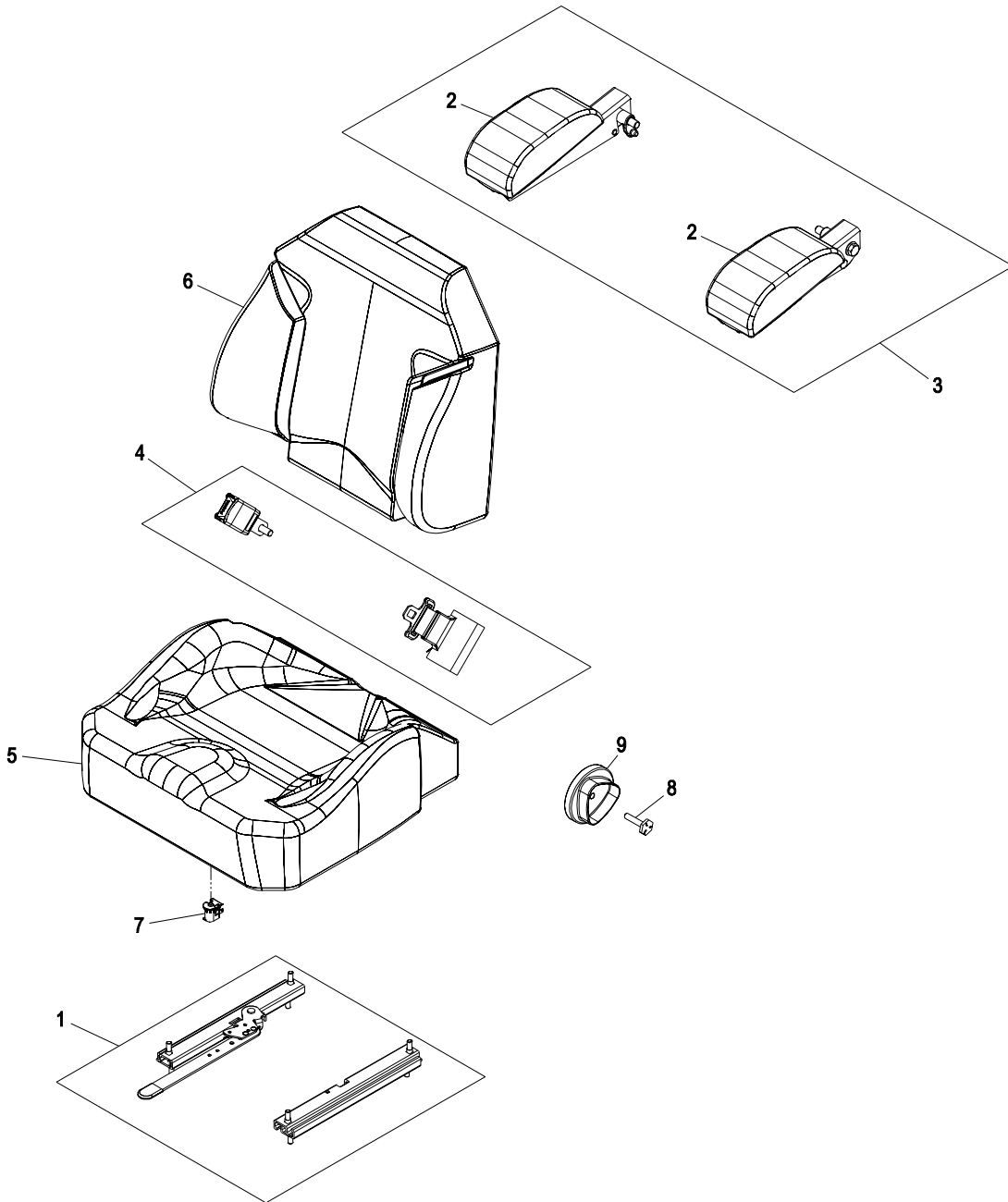


Item	Part No.	Description	Qty.
1	116-0036	Asm, Seat W/Tracks.....	1
3	109-9034	Seat Isolator	4
4	116-2323	Mount, Seat W/Decals	1
4:2	109-7069	Decal, Console	1
4:3	116-0211	Decal, Service Lz.....	1
6	3230-23	Bolt, Carriage 5/16-18 x 3/4, short neck	11
8	104-8300	Nut, Nyloc 5/16-18 Flg	18
9	104-8301	Nut, Nyloc 3/8-16 Flg	4
10	9266934	Screw, HWH 5/16 x 1/2 TF	2

Item	Part No.	Description	Qty.
13	116-0181-03	Plate, Seat Support	1
14	116-0179-03	Plate, Seat Base	1
15	109-9881-03	Plate, Seat Latch	1
16	3230-4	Bolt, Carriage 5/16-18 x 1 1/2	1
17	107-3017	Spring-Compression	1
18	116-1297	Screw-Shoulder	2
20	116-0070	Rod, Prop	1
21	103-2883	Decal, Exmark Logo	1
24	3256-23	Washer, 5/16 SAE	1

Exmark black touch up spray paint – gloss black

SEAT W/TRACKS ASSEMBLY – 116-0036

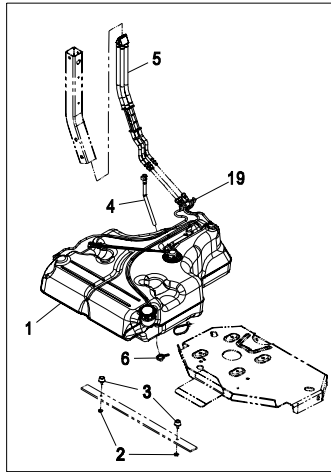


Item	Part No.	Description	Qty.
1	109-9801	Set, Seat Track.....	1
2	109-9812	Set, Arm Rest Pads	1
3	109-9815	Kit, Arm Rest Set	1
4	116-0751	Kit, Seat Belt (short buckle)	1
5	109-9807	Cover, Cushion	1

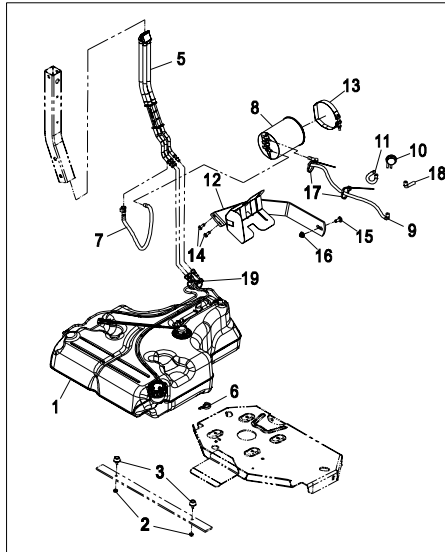
Item	Part No.	Description	Qty.
6	109-9817	Cover, Back	1
7	82-2190	Switch, Occupancy	1
8	116-2793	Screw, Shoulder 3/8-16 x 1.80.....	1
9	116-2794	Knob, Adjuster	1

FUEL TANK GROUP

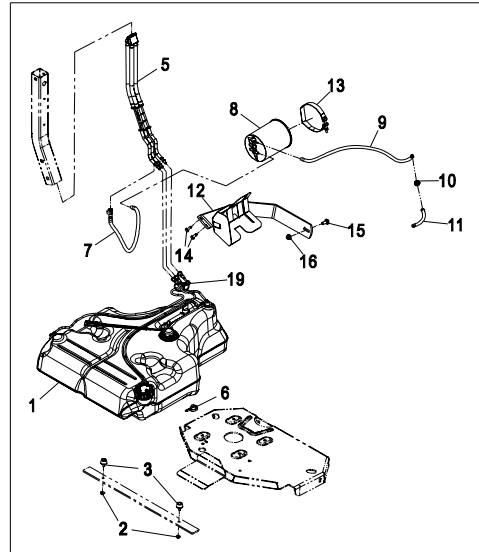
NON-CALIFORNIA UNITS



CALIFORNIA UNITS WITH KOHLER ENGINES



CALIFORNIA UNITS WITH KAWASAKI ENGINES



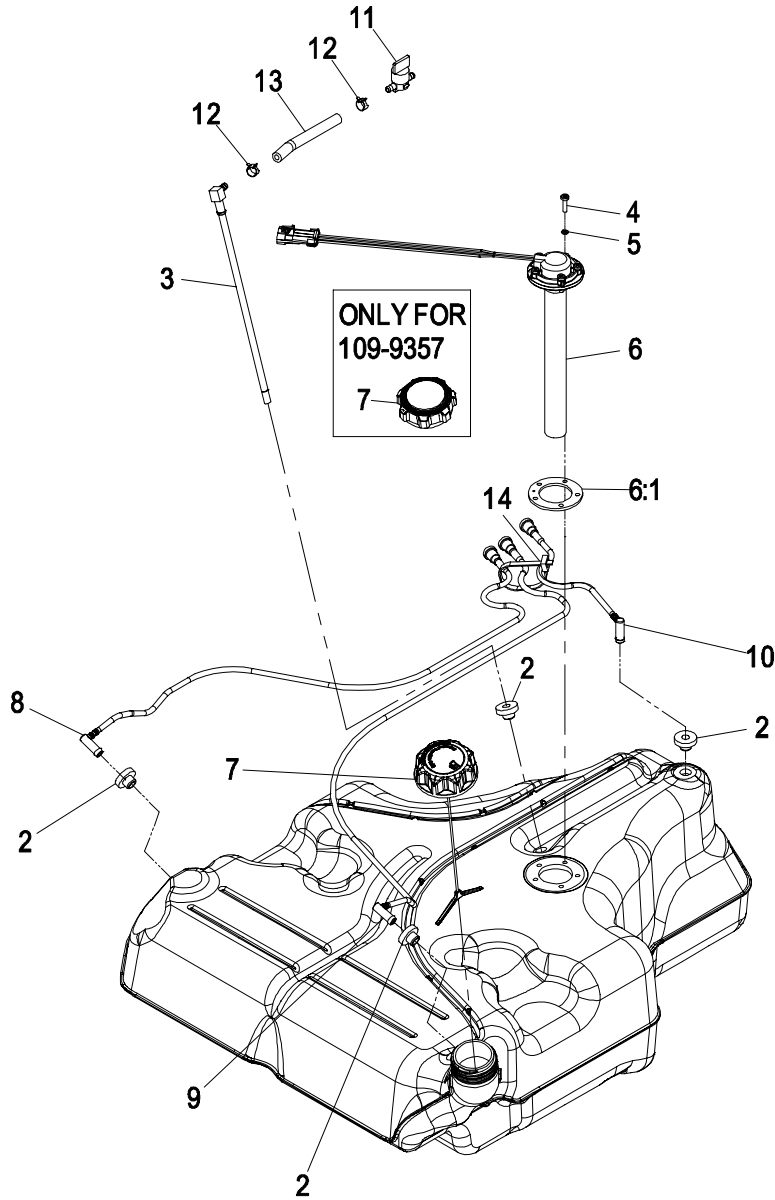
Item	Part No.	Description	Qty.
1●	109-9357	Fuel Tank Asm	1
+	116-2131	Asm, Fuel Tank Low Perm	1
2	32128-33	Nut, Whizlock 1/4-20.....	2
3	109-2365	Bumper-Rubber (W/Stud)	2
4	109-9450	Tube-Vent, Fuel Drain.....	1
5	109-9491	Fuel Manifold Vent Asm.....	1
6	105-1853	Clamp-Hose.....	1
7	116-1702	Asm, Vent Hose.....	1
8	116-1442	Canister, Carbon 1200cc	1
9■	108-6344	Hose-Fuel	1
▼	116-2231	Hose, 3/16 Formed	1

Item	Part No.	Description	Qty.
10■	115-7868	Valve-Check, Vacuum	1
▼	116-2232	Valve, Vacuum Control.....	1
11■	116-2394	Hose, Fuel.....	1
▼	116-2619	Hose, Fuel.....	1
12	116-1433-03	Wld, Canister Mount	1
13	116-2228	Clamp, T-Bolt	1
14	32144-70	Screw, HWH 5/16-18 x 3/4 TF	2
15	3231-22	Bolt, Carriage 3/8-16 x 1	1
16	104-8301	Nut, Nyloc 3/8-16 Flg.....	1
17	1-303335	Tie, Cable 7 15/16	2
18	116-2233	Hose, 3/16 Formed.....	1
19	1-303335	Tie, Plastic.....	1

Exmark black touch up spray paint – gloss black

- Non-California Units
- + California Units
- California Units with Kohler Engines
- ▼ California Units with Kawasaki Engines

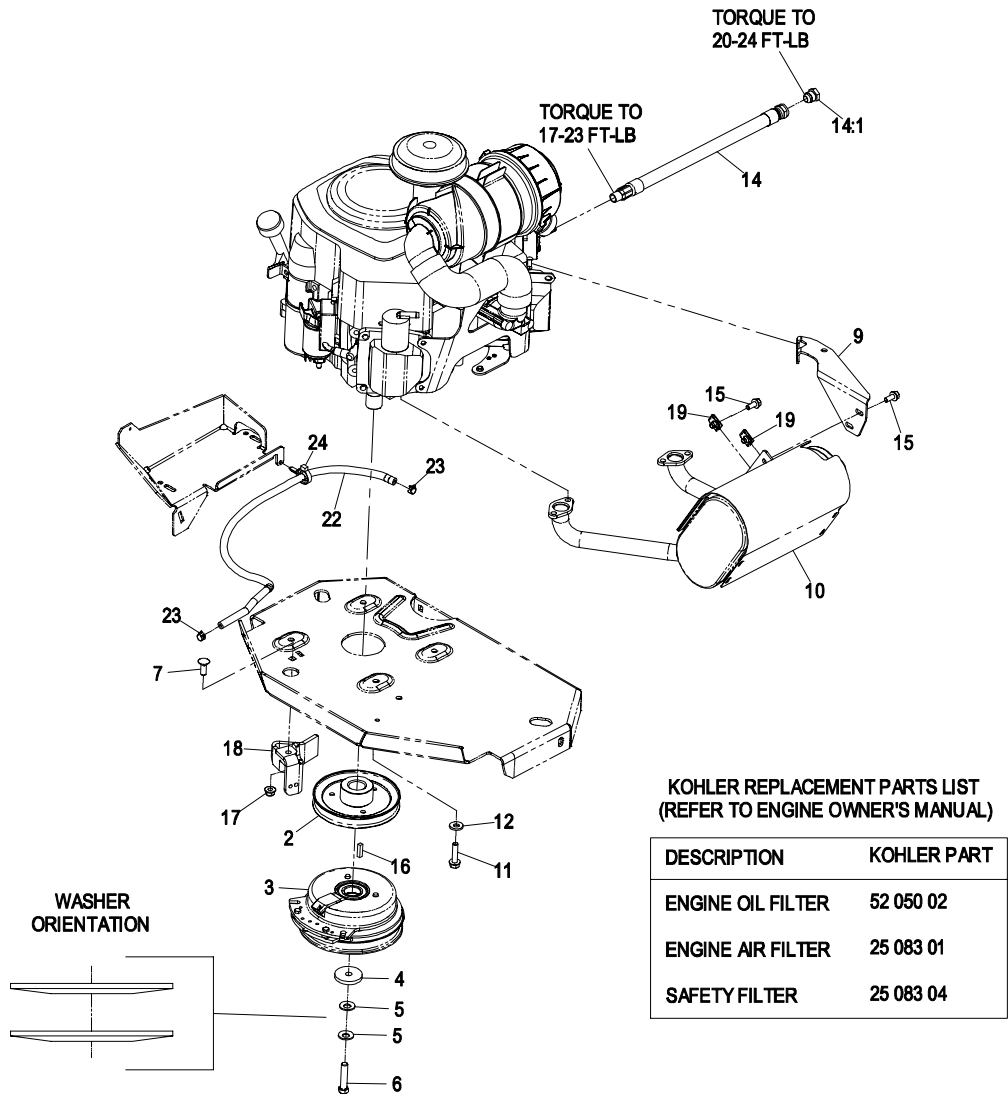
FUEL TANK ASSEMBLY – 109-9357 & 116-2131



Item	Part No.	Description	Qty.
2	46-6560	Bushing.....	4
3	116-2459	Kit, Fuel Line With Grommet.....	1
4	9107944	Screw-Pan	5
5	3253-17	Washer, Lock 3/16.....	5
6	116-0003	Sender-Fuel Level.....	1
6:1	109-9620	Gasket-Sender, Fuel.....	1
7	109-9619	Cap-Fuel (109-9357 – Non-CA Units)	1
	116-1704	Cap-Ratcheting Fuel (116-2131 – CA Units)	1

Item	Part No.	Description	Qty.
8	116-2460	Kit, Vent Line With Grommet RH.....	1
9	116-2461	Kit, Vent Line With Grommet LH.....	1
10	116-2462	Kit, Vent Line With Grommet Rear	1
11	1-603770	Valve, Fuel	1
12	2412-98	Clamp, Hose.....	2
13	109-0650	Hose-Fuel.....	1
14	1-303335	Tie, Cable 7 15/16 (Large).....	1

ENGINE GROUP – 23-29HP KOHLER



Item	Part No.	Description	Qty.
2	109-9905	Sheave	1
3	116-1620	Kit, Clutch CMS 200	1
4	109-6919	Washer-Clutch	1
5	1-603610	Washer, Spring Disc 7/16.....	2
6▲	109-9762	Screw, HH 7/16-20 x 2 W/Loctite.....	1
7	3231-22	Bolt, Carriage 3/8-16 x 1	1
9●	116-2360	Bracket, Muffler Kohler	1
✘	116-3704	Bracket, Muffler Kohler EFI	1
10●	116-1713	Muffler	1
✘	116-2038	Muffler	1
11	32144-102	Screw, HWH 3/8-16 X 1 1/2 Tapite.....	4
12	98-5975	Washer, Spring Disc 3/8.....	4

Item	Part No.	Description	Qty.
14+	116-0013	Oil Drain Hose Asm.....	1
14:1	109-1012	Plug.....	1
15	3234-5	Screw, HH FLG 5/16-18 x 3/4.....	3
16	1-807259	Key, Machine 1/4 x 1/4 x 1	1
17	104-8301	Nut, Nyloc 3/8-16 Flg.....	2
18	116-2612-01	Anchor-Clutch	1
19	94-2413	U-Nut	3
22	109-0286	Hose, Fuel Line 35".....	1
23	2412-98	Clamp, Hose	2
24	105-1853	Clamp, Hose	1
27	1-303435	Washer, Spring Disc 1/4	1
28	33113-020	Screw, HH M6-1 x 12mm	1

Exmark red touch up paint (spray paint – P/N 1-850337 - .6 oz liquid bottle – P/N 103-9140)

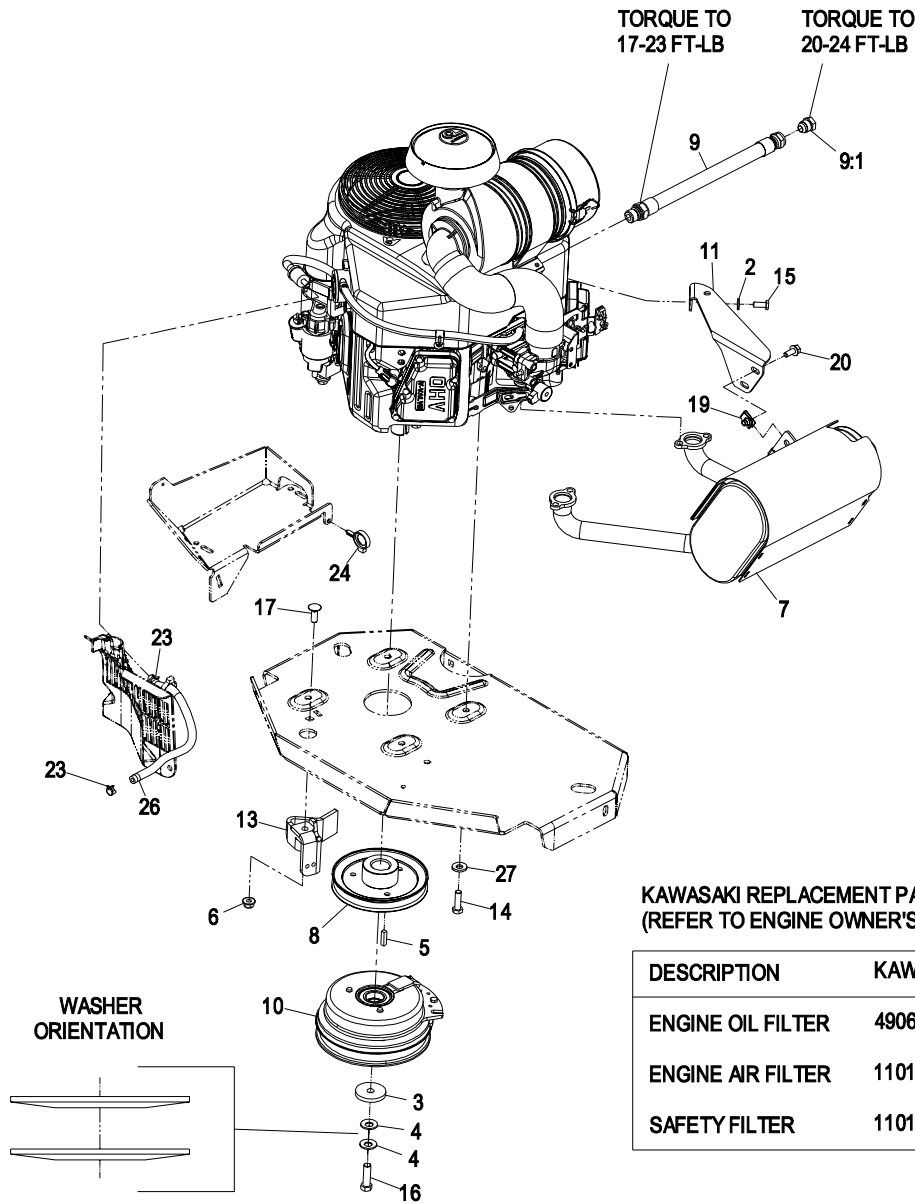
✚ Use Teflon Pipe Sealant or equivalent on threads.

▲ Use Pro-Lock, Nut Type (P/N 1-840022, .5ml tube) on clutch bolt.

● All units except 29HP EFI

✘ 29HP EFI Only

ENGINE GROUP – 24HP KAWASAKI



KAWASAKI REPLACEMENT PARTS LIST (REFER TO ENGINE OWNER'S MANUAL)

DESCRIPTION	KAWASAKI PART
ENGINE OIL FILTER	49065-7007
ENGINE AIR FILTER	11013-7044
SAFETY FILTER	11013-7045

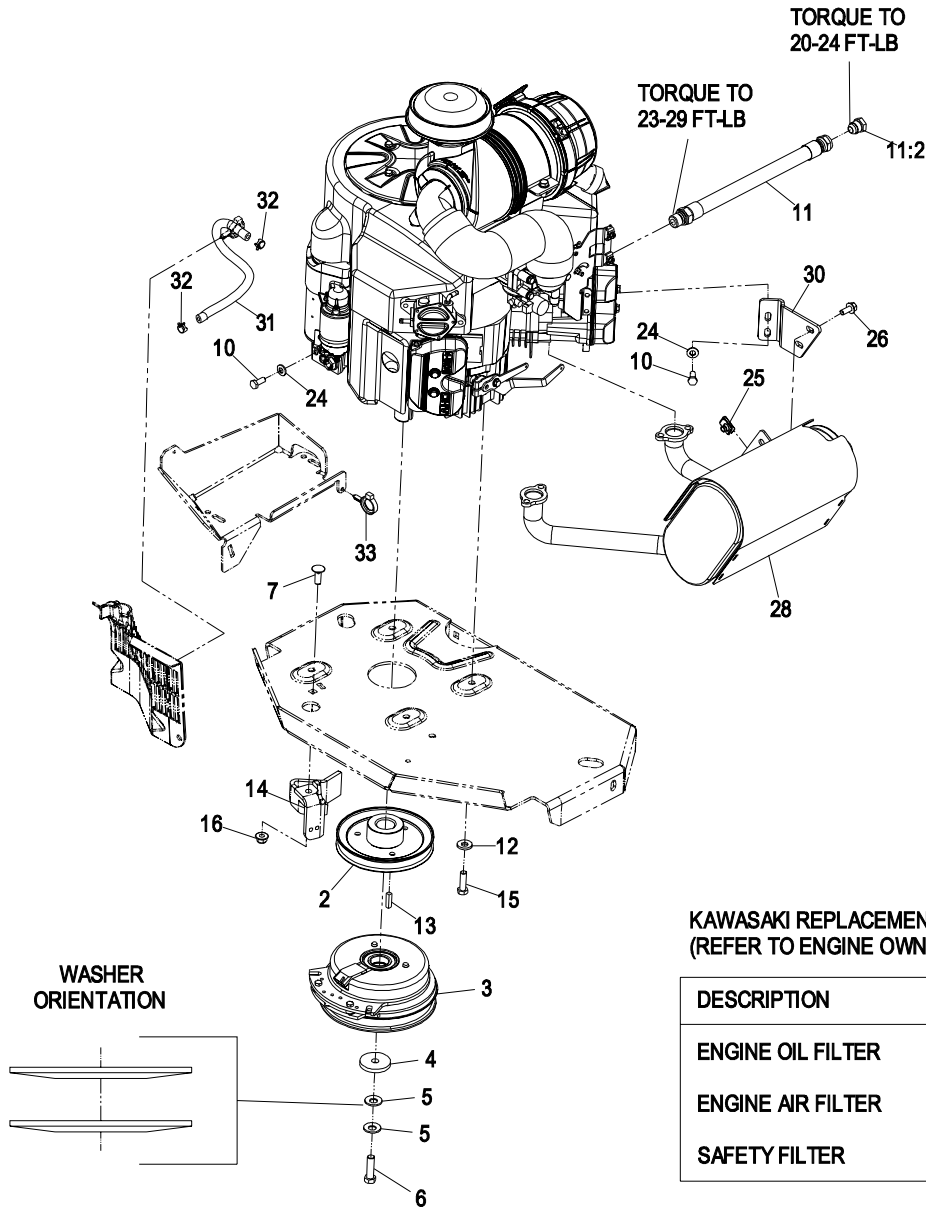
Item	Part No.	Description	Qty.
2	1-303334	Washer, Spring Disc 5/16	1
3	109-6919	Washer, Clutch	1
4	1-603610	Washer, Spring Disc 7/16	2
5	1-807259	Key, Machine 1/4 x 1/4 x 1	1
6	104-8301	Nut, Nyloc 3/8-16 Flg	1
7	116-1715	Muffler.....	1
8	109-9905	Sheave, W/Hub.....	1
9	109-4490	Asm, Hose Oil Drain W/Plug.....	1
9:2	109-1012	Plug	1
10	116-1620	Clutch, CMS-200 W/Spot Brake.....	1
11	116-1435	Bracket, Muffler.....	1

Item	Part No.	Description	Qty.
13	116-2612-01	Anchor, Clutch.....	1
14	323-7	Screw, HH 3/8-16 x 1 1/4.....	4
15	33114-020	Screw, HH M8-1.25 x 20mm.....	1
16▲	109-9761	Screw, HH 7/16-20 x 1 1/2 W/Loctite.....	1
17	3231-22	Bolt, Carriage 3/8-16 x 1	1
19	94-2413	U-Nut 5/16-18.....	2
20	3234-5	Screw, HH FLG 5/16-18 x 3/4.....	2
23	2412-98	Clamp, Hose	2
24	105-1853	Clamp-Hose, Hydro	1
26	109-0296	Hose, Fuel 15".....	1
27	98-5975	Washer.....	4

Exmark red touch up paint (spray paint – P/N 1-850337 - .6 oz liquid bottle – P/N 103-9140)

▲ Use Pro-Lock, Nut Type (P/N 1-840022, .5ml tube) on clutch bolt.

ENGINE GROUP – 29HP KAWASAKI



KAWASAKI REPLACEMENT PARTS LIST (REFER TO ENGINE OWNER'S MANUAL)

DESCRIPTION	KAWASAKI PART
ENGINE OIL FILTER	49065-2078
ENGINE AIR FILTER	11013-7038
SAFETY FILTER	11013-7039

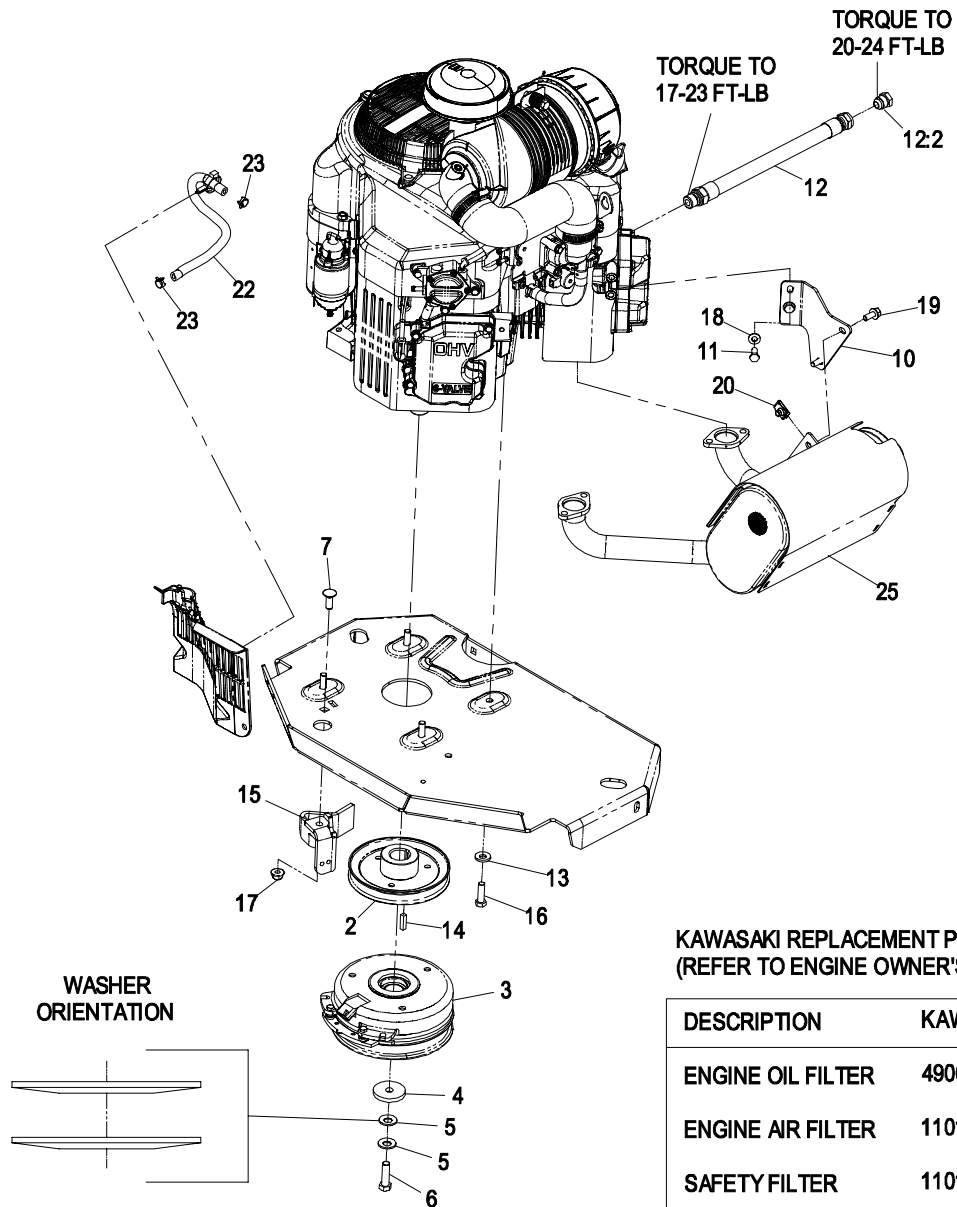
Item	Part No.	Description	Qty.
2	109-9905	Sheave	1
3	116-1620	Kit, Clutch CMS200.....	1
4	109-6919	Washer-Clutch.....	1
5	1-603610	Washer, Spring Disc 7/16	2
6▲	109-9761	Screw, HH 7/16-20 x 1 1/2 W/Loctite	1
7	3231-22	Bolt, Carriage 3/8-16 x 1	1
10	33114-020	Screw, HH M8-1.25 x 20mm	3
11	109-4490	Oil Drain Hose Asm	1
11:2	109-1012	Plug	1
12	98-5975	Washer, Spring Disc 3/8	4
13	1-807259	Key, Machine 1/4 x 1/4 x 1	1

Item	Part No.	Description	Qty.
14	116-2612-01	Anchor-Clutch.....	1
15	323-7	Screw, HH 3/8-16 x 1 1/4.....	4
16	104-8301	Nut, Nyloc 3/8-16 Flg.....	1
24	1-303334	Washer, Spring Disc 5/16	3
25	94-2413	U-Nut.....	2
26	3234-5	Screw, HH FLG 5/16-18 x 3/4	2
28	116-1712	Muffler, 27-31Ka	1
30	116-0203	Bracket-Muffler	1
31	109-0296	Hose, Fuel Line 15"	1
32	2412-98	Clamp, Hose.....	2
33	105-1853	Clamp-Hose	1

Exmark red touch up paint (spray paint – P/N 1-850337 - .6 oz liquid bottle – P/N 103-9140)

▲ Use Pro-Lock, Nut Type (P/N 1-840022, .5ml tube) on clutch bolt.

ENGINE GROUP – 34HP KAWASAKI



KAWASAKI REPLACEMENT PARTS LIST (REFER TO ENGINE OWNER'S MANUAL)

DESCRIPTION	KAWASAKI PART
ENGINE OIL FILTER	49065-2078
ENGINE AIR FILTER	11013-7038
SAFETY FILTER	11013-7039

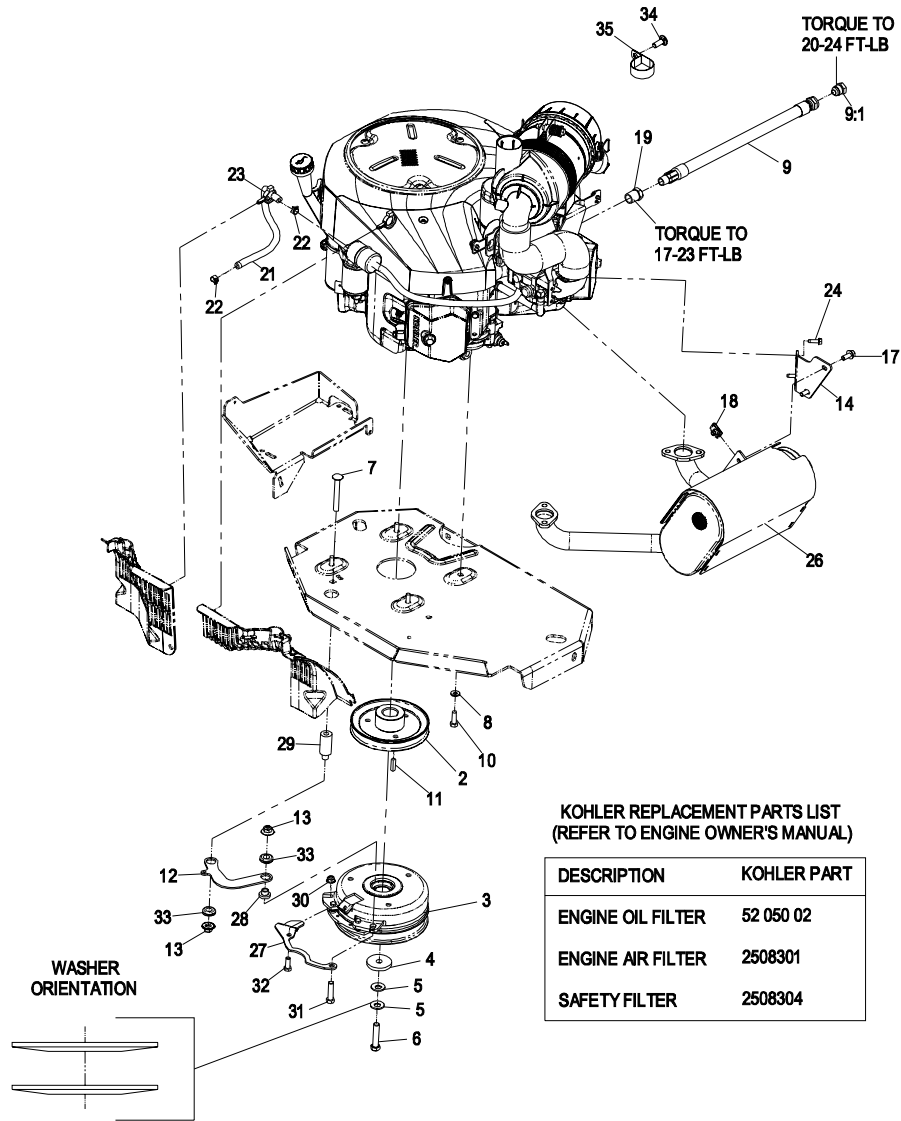
Item	Part No.	Description	Qty.
2	109-9905	Sheave	1
3	116-1621	Clutch Kit	1
4	109-6919	Washer-Clutch	1
5	1-603610	Washer, Spring Disc 7/16	2
6▲	109-9761	Screw, HH 7/16-20 x 1 1/2 W/Loctite	1
7	3231-22	Bolt, Carriage 3/8-16 x 1	1
10	116-1587	Bracket-Muffler	1
11	33114-020	Screw, HH M8-1.25 x 20mm	2
12	109-4490	Oil Drain Hose Asm	1
12:2	109-1012	Plug	1
13	98-5975	Washer, Spring Disc 3/8	4

Item	Part No.	Description	Qty.
14	1-807259	Key, Machine 1/4 x 1/4 x 1	1
15	116-2612-01	Anchor-Clutch	1
16	323-7	Screw, HH 3/8-16 x 1 1/4	4
17	104-8301	Nut, Nyloc 3/8-16 Flg	1
18	1-303334	Washer, Spring Disc 5/16	2
19	3234-5	Screw, HH FLG 5/16-18 x 3/4	2
20	94-2413	U-Nut	2
22	109-0296	Hose, Fuel Line 15"	1
23	2412-98	Clamp, Hose	2
25	116-1707	Muffler	1

Exmark red touch up paint (spray paint – P/N 1-850337 - .6 oz liquid bottle – P/N 103-9140)

▲ Use Pro-Lock, Nut Type (P/N 1-840022, .5ml tube) on clutch bolt.

ENGINE GROUP – 38HP KOHLER



Item	Part No.	Description	Qty.
2	109-9905	Sheave	1
3	116-1621	Clutch Kit	1
4	109-6919	Washer-Clutch	1
5	1-603610	Washer, Spring Disc 7/16	2
6▲	109-9762	Screw, HH 7/16-20 x 2 W/Loctite	1
7	3231-42	Bolt, Carriage 3/8-16 x 3	1
8	1-303334	Washer, Spring Disc 5/16	4
9+	116-0013	Asm, Oil Drain Hose	1
9:1	109-1012	Plug	1
10	33114-025	Screw, HH M8-1.25 x 25mm	4
11	1-807259	Key, Machine 1/4 x 1/4 x 1	1
12	116-3317-01	Link, Clutch Anchor (Red)	1
13	109-6658	Nut, Nyloc 3/8-16 Flg	2
14	109-9218	Bracket, Muffler	1
17	3234-5	Screw, HH FLG 5/16-18 x 3/4	2
18	94-2413	U-Nut (5/16-18)	2

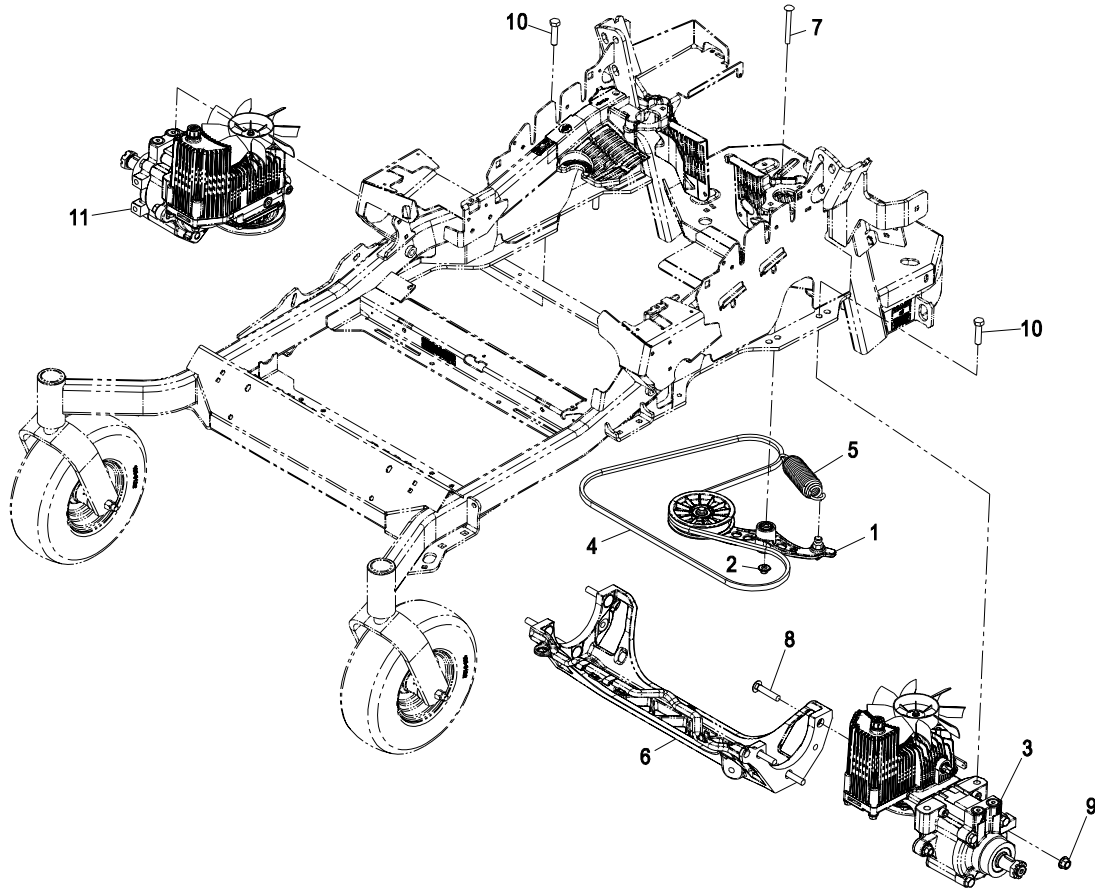
Item	Part No.	Description	Qty.
19	103-1390	Ftg, Bushing	1
21	109-0305	Hose, Fuel Line 13 3/4"	1
22	2412-98	Clamp, Hose	2
23	105-1853	Clamp-Hose (Hydro)	2
24	110-3986	Screw, HH M6-1 x 20mm	2
26	109-9880	Muffler	1
27	116-3331-01	Belt-Guide	1
28	116-3318	Spacer	1
29	116-3319	Spacer	1
30	104-8300	Nut, Nyloc 5/16-18 Flg	1
31	323-8	Screw, HH 3/8-16 x 1 1/2	1
32	322-4	Screw, HH 5/16-18 x 7/8	1
33	93-5108	Grommet-Rubber	2
34	3231-22	Bolt, Carriage 3/8-16 x 1	1
35	2412-147	Clamp	1

Exmark red touch up paint (spray paint – P/N 1-850337 - .6 oz liquid bottle – P/N 103-9140)

✦ Use Teflon Pipe Sealant or equivalent on threads.

▲ Use Pro-Lock, Nut Type (P/N 1-840022, .5ml tube) on clutch bolt.

HYDRAULIC GROUP



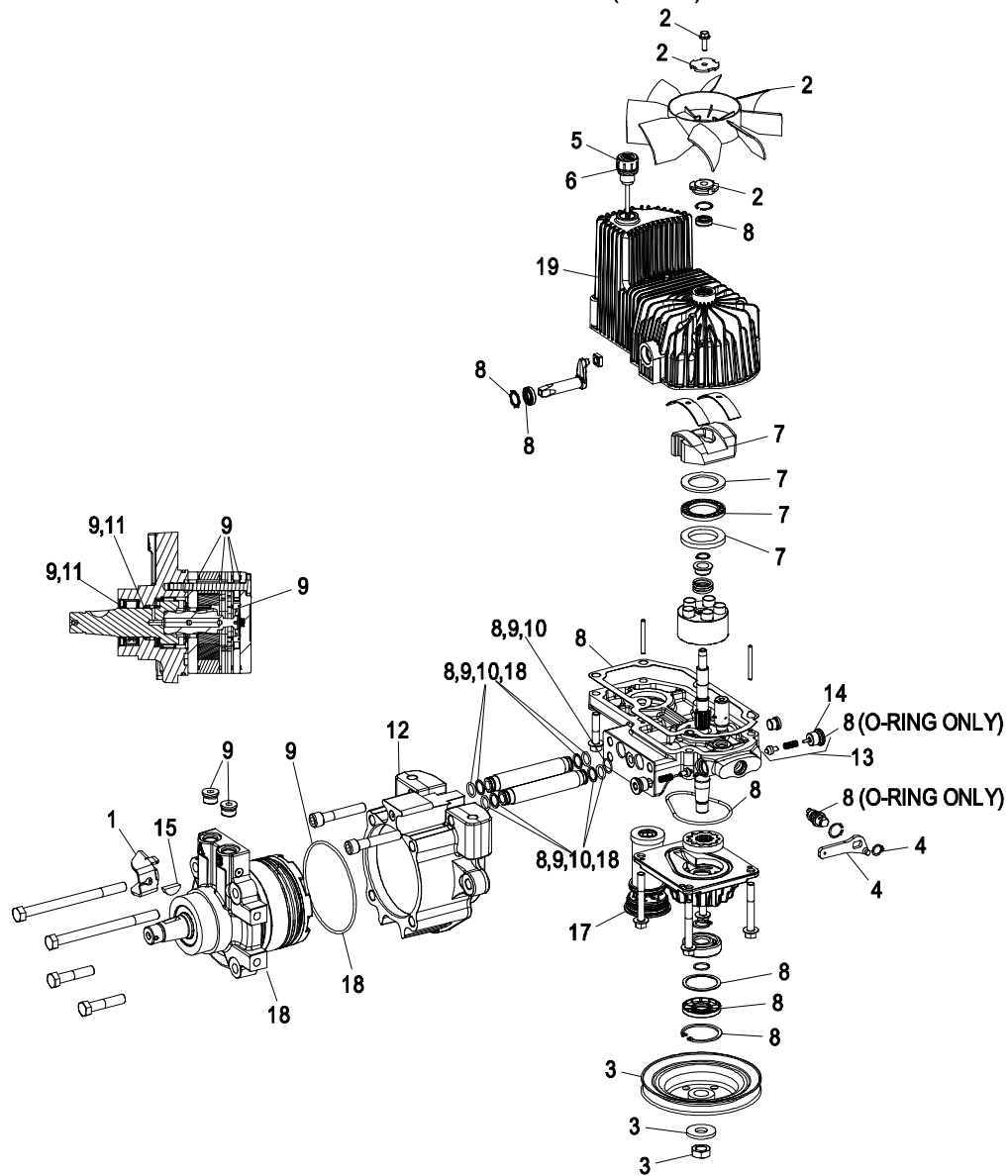
Item	Part No.	Description	Qty.
1	116-1255	Asm, Pump Idler	1
2	109-6658	Nut, Nyloc 3/8-16 Flg	1
3	116-1322	Hydro, LH 12CC W/Check (48" or 52" Deck).....	1
	116-1382	Hydro, LH 16CC W/Shock (30HP & Higher – 60" or 72" Deck)	1
	116-1326	Hydro, LH 16CC W/Shock (29HP & Lower – 60" Deck)	1
4	109-3388	Belt, V.....	1
5	116-0133	Spring, Extension.....	1
6	109-9375	Cradle, Machined Hydro	1
7	116-1502	Bolt, Carriage Shoulder 3/8-16 x 3 1/2 ...	1

Item	Part No.	Description	Qty.
8	3233-34	Bolt, Carriage 1/2-13 x 2 1/2	6
9	99-5107	Nut, Lock 1/2-13	6
10	325-8	Screw, HH 1/2-13 x 1 1/4.....	4
11	116-1323	Hydro, RH 12CC W/Check (48" or 52" Deck)	1
	116-1383	Hydro, RH 16CC W/Shock (30HP & Higher – 60" or 72" Deck)	1
	116-1327	Hydro, RH 16CC W/Shock (29HP & Lower – 60" Deck)	1
12+	109-9828	Oil, Exmark Premium Hydro (32 oz)	4
13+	116-1218	Oil, Exmark Premium Hydro (1 gal)	1
■+	116-3270	Kit, Hydro Service	1

⊕ Not shown

■ Kit contains: (1) V-Belt, (4) Exmark Premium Hydro Oil 32 oz bottles, and (2) Hydro filters

HYDRAULIC GROUP (cont.)

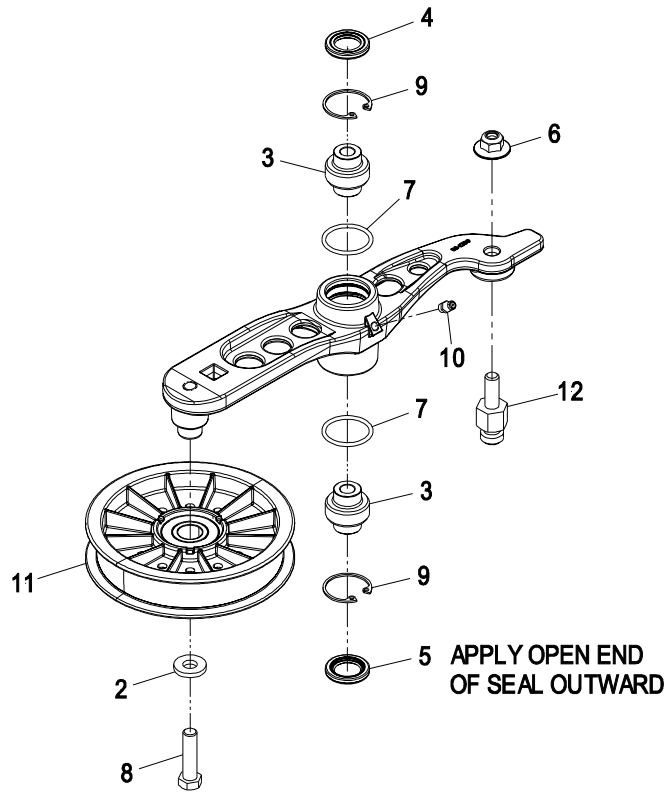


Item	Part No.	Description	Qty.
1	116-1758	Bracket, Anchor Cable	1
2	116-0233	Kit, Fan Hydro	1
3	116-0234	Kit, Pulley Hydro.....	1
4	116-0235	Handle, Bypass Valve Hydro.....	1
5	116-0236	Dipstick, Hydro W/Gasket	1
6	116-0237	Gasket, Dipstick Hydro.....	1
7	116-1367	Kit, Swash Block Hydro	1
8	116-1368	Kit, Pump Seal Hydro.....	1
9	116-1369	Kit, Motor Seal Hydro	1
10	116-1370	Kit, Tube Seal Hydro	1
11	116-1371	Kit, Output Shaft Seal Hydro	1
12▼	116-1372	Cup, Nose Hydro Wet	1
●	116-2992	Cup, Nose Hydro Dry	1
13■	116-1630	Asm, Check Valve.....	1

Item	Part No.	Description	Qty.
14■	116-1631	Check Plug W/O-Ring.....	1
15	3257-42	Key, Woodruff 5/16 x 1	1
17	116-0164	Filter, Hydro	1
18▼■	116-2984	Motor, Wheel LH Wet 240cc	1
▼■	116-2985	Motor, Wheel RH Wet 240cc	1
▼	116-2986	Motor, Wheel LH Wet 280cc	1
▼	116-2987	Motor, Wheel RH Wet 280cc	1
●■	116-2988	Motor, Wheel LH Dry 240cc	1
●■	116-2989	Motor, Wheel RH Dry 240cc	1
●	116-2990	Motor, Wheel LH Dry 280cc	1
●	116-2991	Motor, Wheel RH Dry 280cc	1
19	116-3287	Housing, LH.....	1
	116-3288	Housing, RH	1

- For 12CC W/Check Hydros – 48" & 52" Only
- ▼ For Units with hydro S/N below LH: 092570032 RH: 092570042
- For Units with hydro S/N LH:092570032 RH: 092570042 & higher

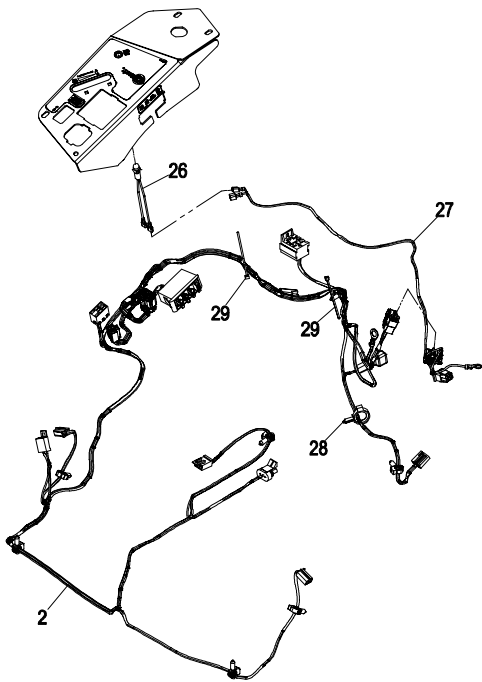
PUMP IDLER ASSEMBLY – 116-1255



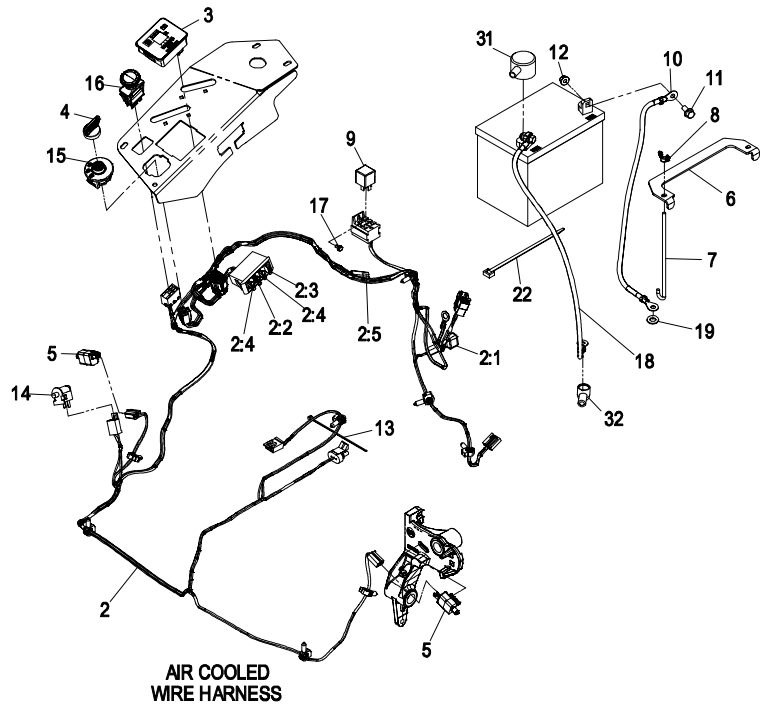
Item	Part No.	Description	Qty.
2	43-0940	Spacer-Hub, Blower.....	1
3	103-3504	Bearing, Spherical.....	2
4	103-3505	Seal, Double Lip	1
5	103-3506	Seal, Single Lip.....	1
6	109-6658	Nut, Nyloc 3/8-16 Fig.....	1
7	106-7159	O-Ring.....	2

Item	Part No.	Description	Qty.
8	323-8	Screw, HH 3/8-16 x 1 1/2.....	1
9	32120-10	Ring, Retaining	2
10	302-19	Zerk, 1/4-28 Str.....	1
11	109-8076	Pulley, Idler 5" X 1" Nylon.....	1
12	109-7399	Pin, Spring Anchor.....	1

ELECTRICAL GROUP



EFI WIRE HARNESS



AIR COOLED WIRE HARNESS

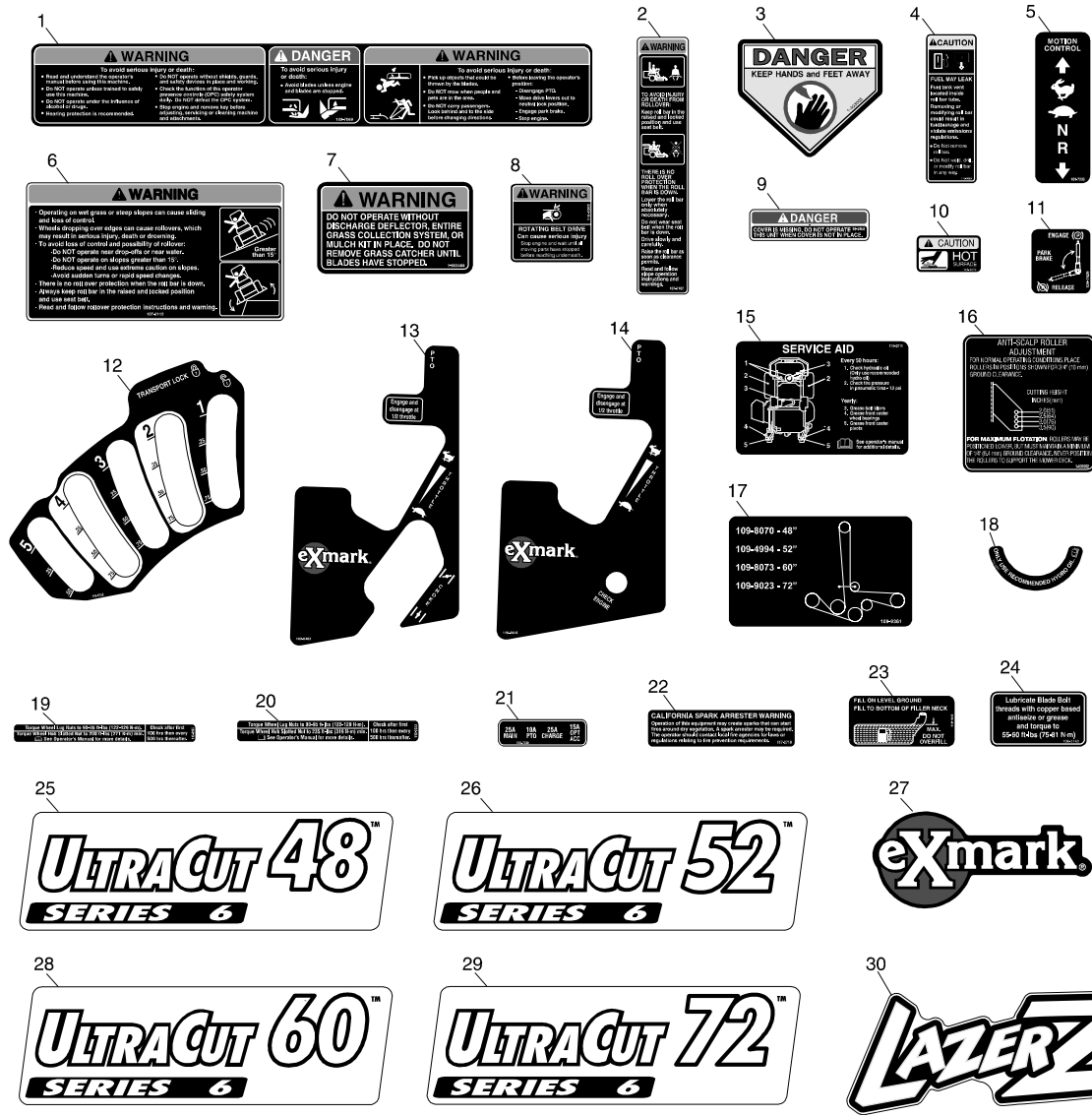
Item	Part No.	Description	Qty.
2▲	115-2796	Harness, Wire, Main	1
2:1	103-3895	Diode, TVS	1
2:2	218-578	Fuse, 10 Amp	1
2:3	109355	Fuse, 15 Amp	1
2:4	109102	Fuse, 25 Amp	2
2:5	116-0053	Cap, Plug.....	1
3	116-1356	Asm, Fuel/Hour Meter.....	1
4	103-2106	Key, Exmark Logo.....	1
	1-603511	Key, Ignition.....	1
5	110-6765	Switch, Single Pole No.....	2
6	116-0042-03	Strap, Tie Down, Battery.....	1
7	1-633651	Bolt, Holddown.....	2
8	1-543792	Wingnut, Nyloc 1/4-20.....	2
9	1-643275	Relay, 12VDC 40 Amp.....	1
10	114-1218	Cable, Battery, Negative	1
11	3234-5	Screw, HH FLG 5/16-18 x 3/4	2

Item	Part No.	Description	Qty.
12	104-8300	Nut, Nyloc 5/16-18 Flg.....	2
13	1-303287	Tie, Cable 5 1/2 (Small) (Air Cooled)	3
	1-303287	Tie, Cable 5 1/2 (Small) (EFI)	2
14	82-2190	Switch.....	1
15	117-2221	Switch, Ignition	1
16	116-0124	Switch, PTO, 10A	1
17	104-2065	Screw, HWH #10-24 x 3/8	1
18	115-3864	Cable, Battery, Positive	1
19	3256-24	Washer, 3/8 SAE.....	1
22	1-303335	Tie, Cable 7 15/16 (Large).....	1
26	1-643267	Indicator, LED.....	1
27▲	116-3062	Harness, Wire (EFI).....	1
28	105-1853	Clamp.....	1
29	1-303287	Tie, Plastic.....	2
31	109-2407	Insulator, Solenoid.....	1
32	1-543393	Insulator, Battery	1

Exmark black touch up spray paint - gloss black.

▲ Use dielectric grease on all wiring harness connectors.

DECAL GROUP

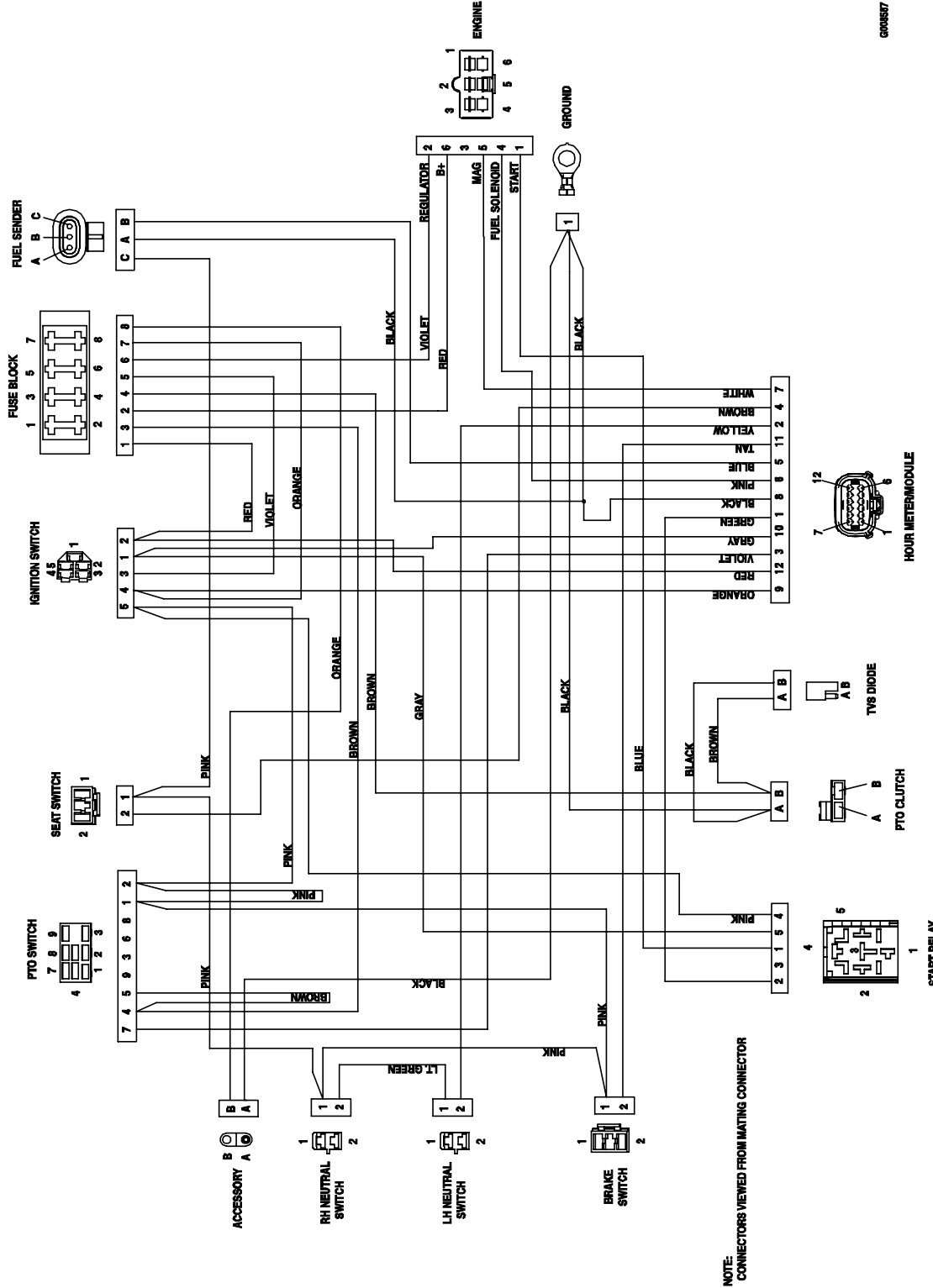


Item	Part No.	Description	Qty.
1	109-7069	Decal, Console	1
2	107-2102	Decal, ROPS Folding.....	1
3	1-403005	Decal, Danger.....	2
4	116-0090	Decal, Caution Fuel Vent	1
5	109-7232	Decal, Motion Control	2
6	107-2112	Decal, Warning Slope	1
7	1-303508	Decal, Discharge Warning	1
8	116-0205	Decal, Belt Drive	2
9	98-5954	Decal, Danger.....	2
10	103-2076	Decal, Hot Surface.....	3
11	109-7929	Decal, Park Brake.....	1
12	116-0752	Decal, Cut of Height.....	1
13	109-8483	Decal, Control Panel (All units except 29HP EFI)	1
14	116-2844	Decal, Control Panel (29HP EFI)	1
15	116-0211	Decal, Service Aid	1

Item	Part No.	Description	Qty.
16	1-633922	Decal, Anti-Scalp	1
17	109-9361	Decal, Belt Routing.....	1
18	116-0157	Decal, Hydro Oil	1
19	116-0165	Decal, Wheel Hub.....	2
20	116-2643	Decal, Wheel Hub.....	2
21	109-7330	Decal, Fuse	1
22	117-2718	Decal, Spark Arrester	1
23	116-1654	Decal, Fuel Fill.....	1
24	109-3148	Decal, Bolt Torque.....	1
25	109-9437	Decal, UltraCut 48 Series 6	1
26	109-9438	Decal, UltraCut 52 Series 6	1
27	103-2883	Decal, Exmark Logo	2
28	109-9439	Decal, UltraCut 60 Series 6	1
29	109-9440	Decal, UltraCut 72 Series 6	1
30	103-3113	Decal, Lazer	1

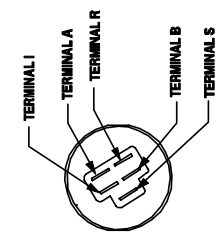
ELECTRICAL DIAGRAM – ALL UNITS EXCEPT 29HP KOHLER EFI

600667



IGNITION SWITCH

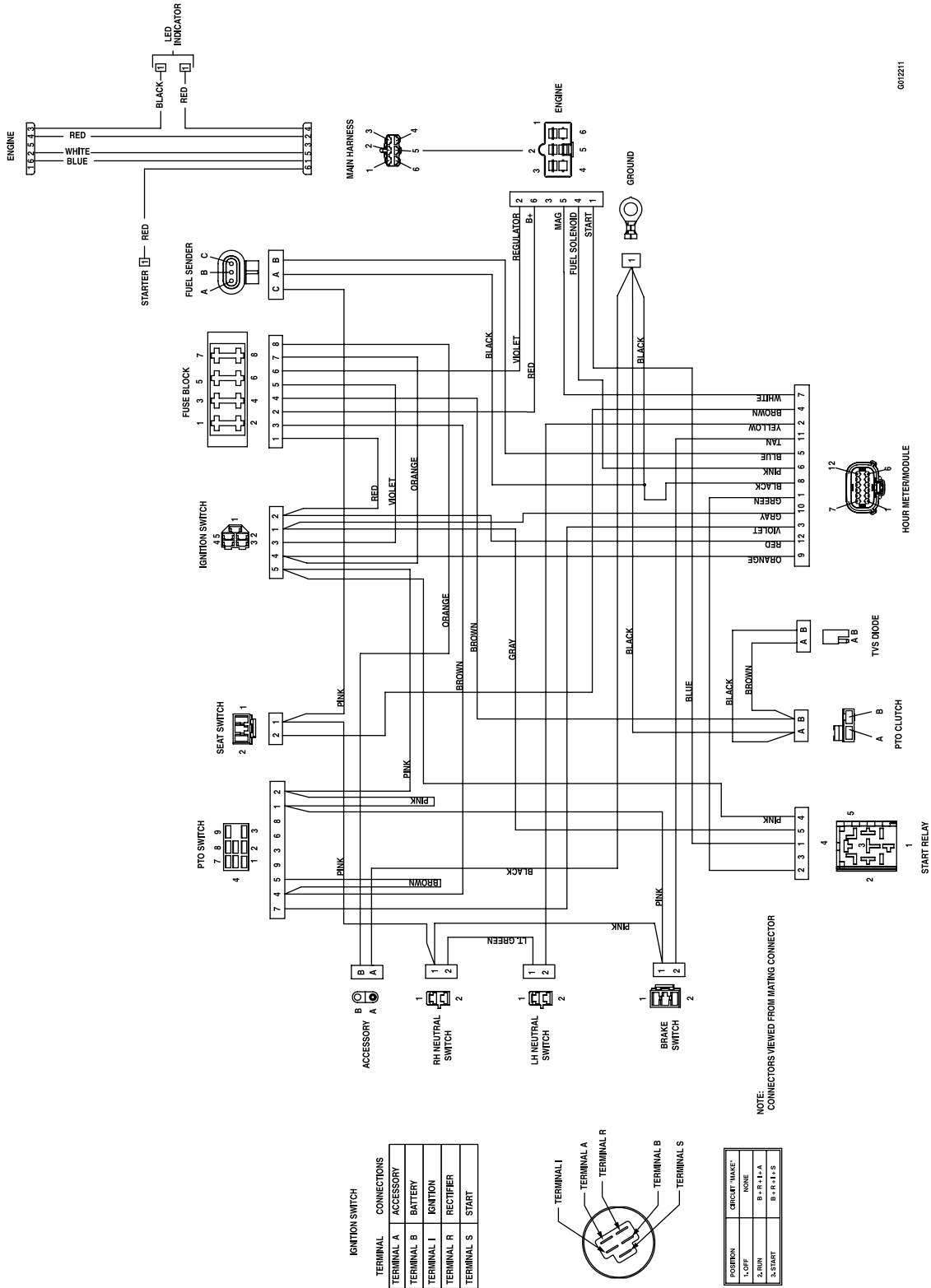
TERMINAL	CONNECTIONS
TERMINAL A	ACCESSORY
TERMINAL B	BATTERY
TERMINAL I	IGNITION
TERMINAL R	RECTIFIER
TERMINAL S	START



POSITION	CIRCUIT "MAKE"
1. OFF	NONE
2. RUN	B + R + I + A
3. START	B + R + I + S

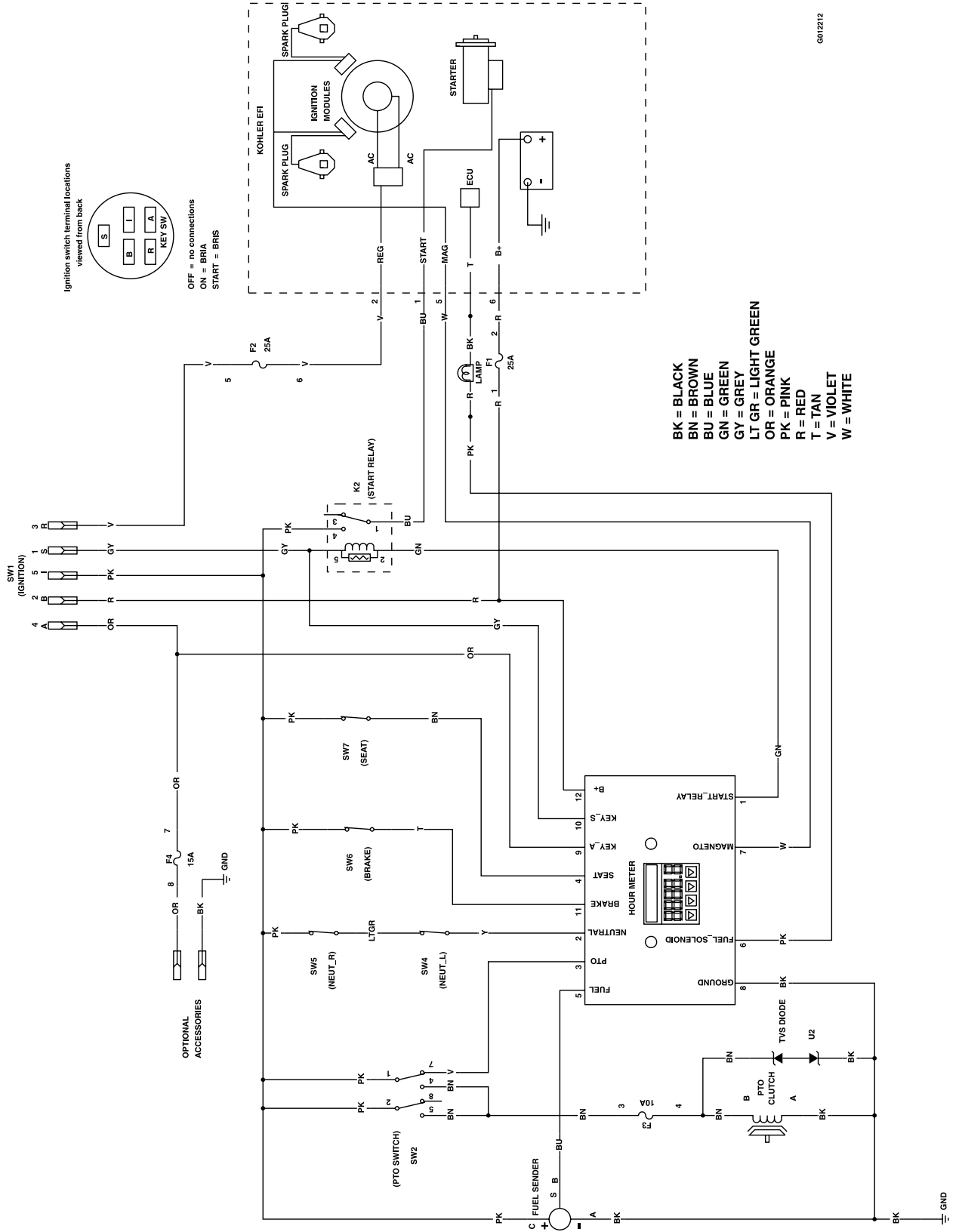
NOTE: CONNECTORS VIEWED FROM MATING CONNECTOR

ELECTRICAL DIAGRAM – 29HP KOHLER EFI



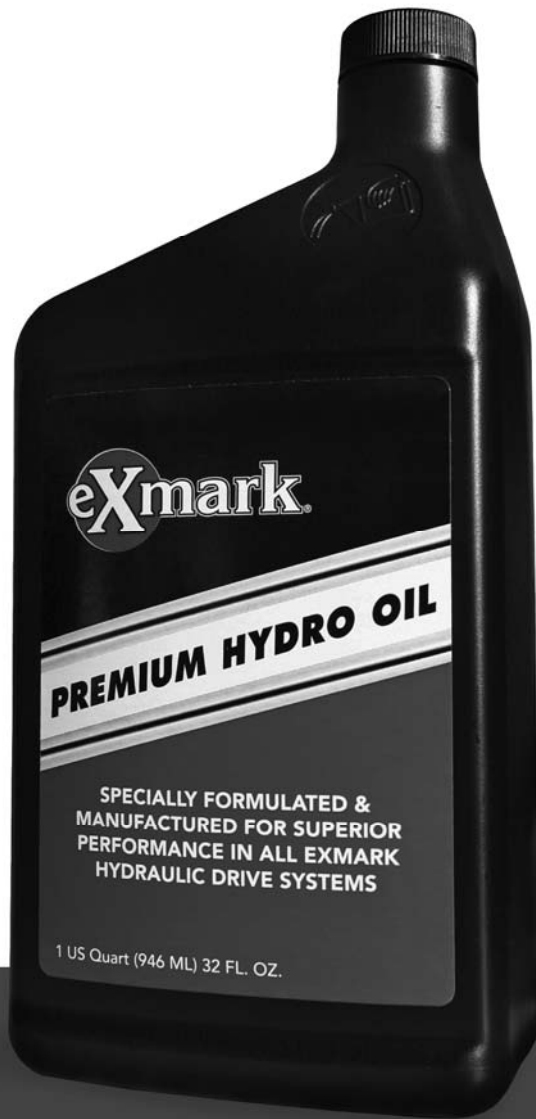
6912211

ELECTRICAL LOGIC SCHEMATIC –29HP KOHLER EFI



GI02212

NEW EXMARK PREMIUM HYDRO OIL



BENEFITS

- Designed & manufactured with superior anti-wear protection
- Superior thermal stability
- Consistent hydro performance
- Superior shear resistance under heavy loads
- Field tested & proven performance
- Twice the shear stability of competing oils
- Enhanced control performance
- Specially formulated for any Exmark hydraulic system

**NOW AVAILABLE
FOR PURCHASE**

Part No. 109-9828



SEE EXMARK'S COMPLETE LINE OF ACCESSORIES

MID-MOUNT RIDING ACCESSORIES

CUSTOM RIDE SEAT SUSPENSION SYSTEM

FULL SUSPENSION SEAT

DECK LIFT ASSIST KIT

HITCH KIT

LIGHT KIT

12V POWER PORT

MICRO-MULCH SYSTEM

OPERATOR CONTROLLED DISCHARGE

ROLL OVER PROTECTION SYSTEM (ROPS)

SUN SHADE

TRASH CONTAINER

TURF STRIPER

ULTRA VAC COLLECTION SYSTEM

ULTRA VAC QUICK DISPOSAL SYSTEM

OUT-FRONT RIDING ACCESSORIES

CUSTOM RIDE SEAT SUSPENSION SYSTEM

DUAL-TAIL WHEEL

FLOOR PAN EXTENDER

HITCH KIT

LIGHT KIT

MICRO-MULCH SYSTEM

ROLL OVER PROTECTION SYSTEM (ROPS)

SNOW BLADE

SNOWBLOWER

SUN SHADE

TRASH CONTAINER

ULTRA VAC COLLECTION SYSTEM

ULTRA VAC QUICK DISPOSAL SYSTEM

WEATHER CAB

WALK-BEHIND ACCESSORIES

GRASS CATCHER

MICRO-MULCH SYSTEM

TURF STRIPER

STANDON

Place Model No. and Serial No.
Label Here (Included in the Literature
Pack or Fill in Below)

Model No. _____

Serial No. _____

Date Purchased _____

Engine Model No. and Spec. No. _____

Engine Serial No. (E/No) _____

© 2010 Exmark Mfg. Co., Inc.
Industrial Park Box 808
Beatrice, NE 68310
All Rights Reserved

Part No. 4500-561 Rev. F
(402) 223-6300
Fax (402) 223-5489
Printed In USA.



www.exmark.com